

Ø 5.398
OUTSIDE DIAMETER

Ø 5.254
PITCH DIAMETER

Ø 1.875
BOLT CIRCLE

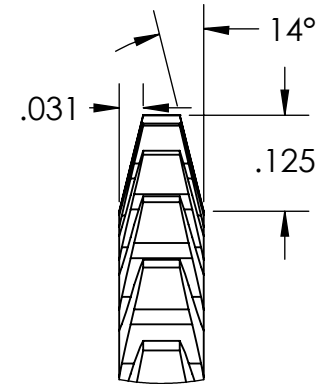
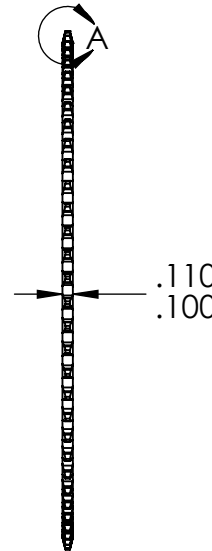
60° (6)

Ø .201 THRU (6)

Ø 1.1249 THRU
Ø 1.1241 THRU


25 SERIES
66 TOOTH
ROLLER CHAIN SPROCKET

REVISION HISTORY			
REV.	DESCRIPTION	DATE	DRAWN BY
1	ORIGINAL PRINT	10/3/2008	A. BAKER
2	CHAMFER REMOVED, THICKNESS TO 0.090	10/5/2015	D. BLAU
3	CHAMFER ADDED, UPDATED TO AMDS-1	7/16/2018	A. MILLS
4	CHANGED MATERIAL FROM 6061-T6 TO 7075-T6	10/18/2019	K.KOŁODZIEJ



DETAIL A
SCALE 4 : 1

*** SEE CAD FOR ADDITIONAL TOOLPATH INFO***

UNLESS OTHERWISE SPECIFIED:		COMMENTS:				
DIMENSIONS ARE IN INCHES		DUAL DIMENSIONS ARE IN MILLIMETERS.				
TOLERANCES:		BREAK ALL SHARP EDGES		SIZE	DWG. NO.	REV
FRACTIONAL	±1/16			A	am-0238	4
ANGULAR: MACH	±1°					
ANGULAR: BEND	±5°	CHECKED	NAME			
ONE PLACE DECIMAL	±0.1	ENG APPR.	NL			
TWO PLACE DECIMAL	±0.01	MFG APPR.				
THREE PLACE DECIMAL	±0.005	Q.A.				
FOUR PLACE DECIMAL	±0.0005					
MATERIAL			DATE	SCALE: 1:2		
7075-T6 ALUMINUM			10/18/19	WEIGHT:		SHEET 1 OF 1
FINISH						
TUMBLER						
DO NOT SCALE DRAWING						