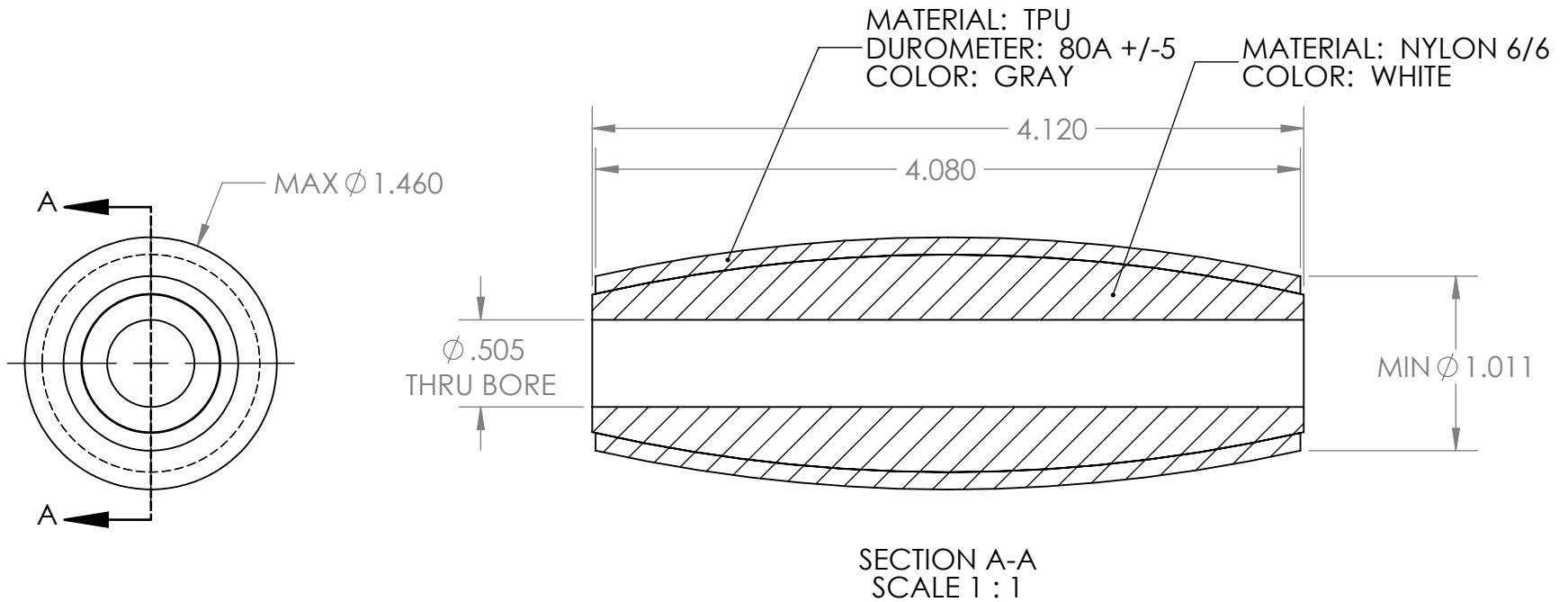



Rev	Description of Changes
1	Original Print



\*\*\*SEE CAD GEOMETRY FOR ADDITIONAL TOOL PATH INFORMATION

UNLESS OTHERWISE SPECIFIED:		NAME	DATE		
DIMENSIONS ARE IN INCHES TOLERANCES: FRACTIONAL $\pm$ ANGULAR: MACH $\pm$ BEND $\pm 5^\circ$ TWO PLACE DECIMAL $\pm 0.010$ THREE PLACE DECIMAL $\pm 0.005$		DRAWN	KN		
INTERPRET GEOMETRIC TOLERANCING PER:		CHECKED			
MATERIAL		ENG APPR.			
FINISH DEBURRED		MFG APPR.			
DO NOT SCALE DRAWING		COMMENTS: Dual dimensions are in millimeters		Q.A.	
				SIZE	DWG. NO.
				<b>A</b>	<b>am-0231a</b>
				SCALE: 1:1	WEIGHT:
					REV <b>1</b>
				SHEET 1 OF 1	