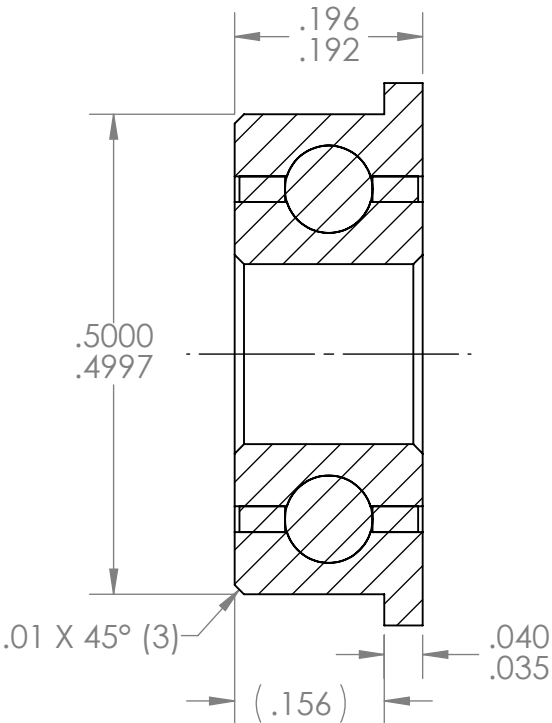
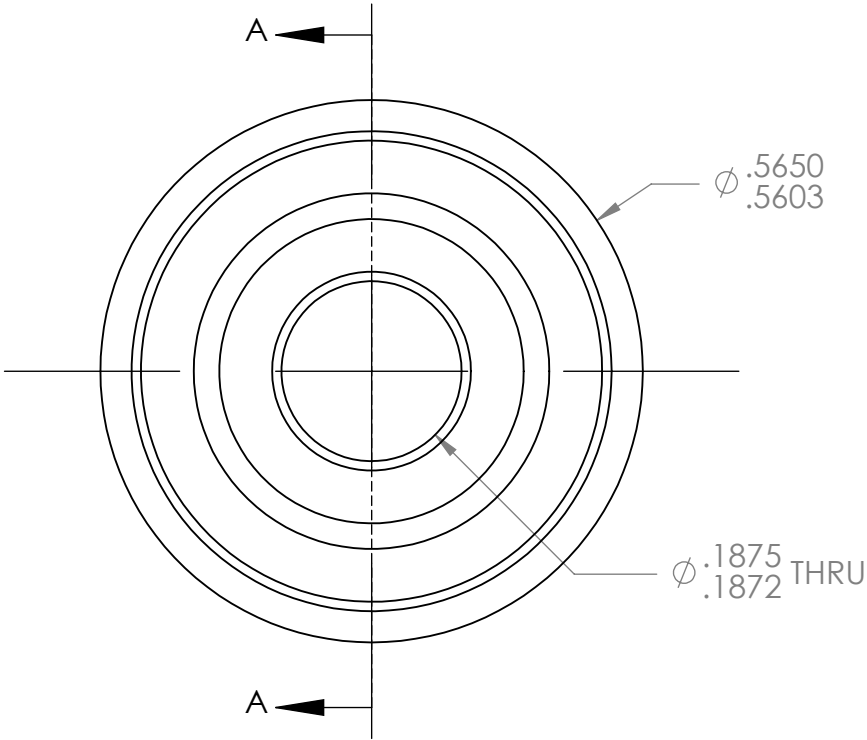
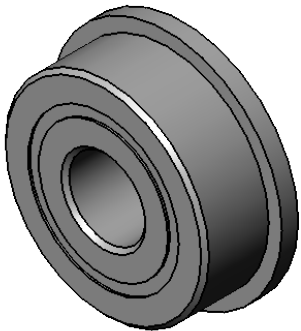



| REVISION HISTORY |                |           |              |
|------------------|----------------|-----------|--------------|
| REV.             | DESCRIPTION    | DATE      | DRAWN BY     |
| 1                | ORIGINAL PRINT | 4/19/2021 | B. HEININGER |



SECTION A-A

\*\*\* SEE CAD FOR ADDITIONAL TOOLPATH INFO\*\*\*



|                                 |               |   |            |   |          |           |    |         |           |  |  |      |  |  |      |          |     |
|---------------------------------|---------------|---|------------|---|----------|-----------|----|---------|-----------|--|--|------|--|--|------|----------|-----|
| UNLESS OTHERWISE SPECIFIED:     |               | COMMENTS:   |            |  |          |           |    |         |           |  |  |      |  |  |      |          |     |
| <b>DIMENSIONS ARE IN INCHES</b> |               | DUAL DIMENSIONS ARE IN MILLIMETERS.   |            |   |          |           |    |         |           |  |  |      |  |  |      |          |     |
| TOLERANCES:                     |               | BREAK ALL SHARP EDGES.  |            | TITLE: 188IN ID 500IN OD SHIELDED FLANGED BALL BEARING FR3ZZ                          |          |           |    |         |           |  |  |      |  |  |      |          |     |
| FRACTIONAL                      | $\pm 1/16$    | <table border="1"> <tr> <td>CHECKED</td> <td>NAME</td> <td>DATE</td> </tr> <tr> <td>ENG APPR.</td> <td>NL</td> <td>4/27/21</td> </tr> <tr> <td>MFG APPR.</td> <td></td> <td></td> </tr> <tr> <td>Q.A.</td> <td></td> <td></td> </tr> </table> | CHECKED    | NAME  | DATE     | ENG APPR. | NL | 4/27/21 | MFG APPR. |  |  | Q.A. |  |  | SIZE | DWG. NO. | REV |
| CHECKED                         | NAME          |   | DATE       |   |          |           |    |         |           |  |  |      |  |  |      |          |     |
| ENG APPR.                       | NL            |   | 4/27/21    |   |          |           |    |         |           |  |  |      |  |  |      |          |     |
| MFG APPR.                       |               |   |            |   |          |           |    |         |           |  |  |      |  |  |      |          |     |
| Q.A.                            |               |   |            |   |          |           |    |         |           |  |  |      |  |  |      |          |     |
| ANGULAR: MACH                   | $\pm 1^\circ$ | <table border="1"> <tr> <td>SCALE: 5:1</td> <td>SHEET 1 OF 1</td> </tr> </table>  | SCALE: 5:1 | SHEET 1 OF 1  | <b>A</b> | am-4459   | 1  |         |           |  |  |      |  |  |      |          |     |
| SCALE: 5:1                      | SHEET 1 OF 1  |   |            |   |          |           |    |         |           |  |  |      |  |  |      |          |     |
| ANGULAR: BEND                   | $\pm 5^\circ$ |   |            |   |          |           |    |         |           |  |  |      |  |  |      |          |     |
| ONE PLACE DECIMAL               | $\pm 0.1$     |   |            |   |          |           |    |         |           |  |  |      |  |  |      |          |     |
| TWO PLACE DECIMAL               | $\pm 0.01$    |   |            |   |          |           |    |         |           |  |  |      |  |  |      |          |     |
| THREE PLACE DECIMAL             | $\pm 0.005$   |   |            |   |          |           |    |         |           |  |  |      |  |  |      |          |     |
| FOUR PLACE DECIMAL              | $\pm 0.0005$  |   |            |   |          |           |    |         |           |  |  |      |  |  |      |          |     |
| MATERIAL                        | STEEL         |   |            |   |          |           |    |         |           |  |  |      |  |  |      |          |     |
| FINISH                          |               |   |            |   |          |           |    |         |           |  |  |      |  |  |      |          |     |
| DO NOT SCALE DRAWING            |               |   |            |   |          |           |    |         |           |  |  |      |  |  |      |          |     |