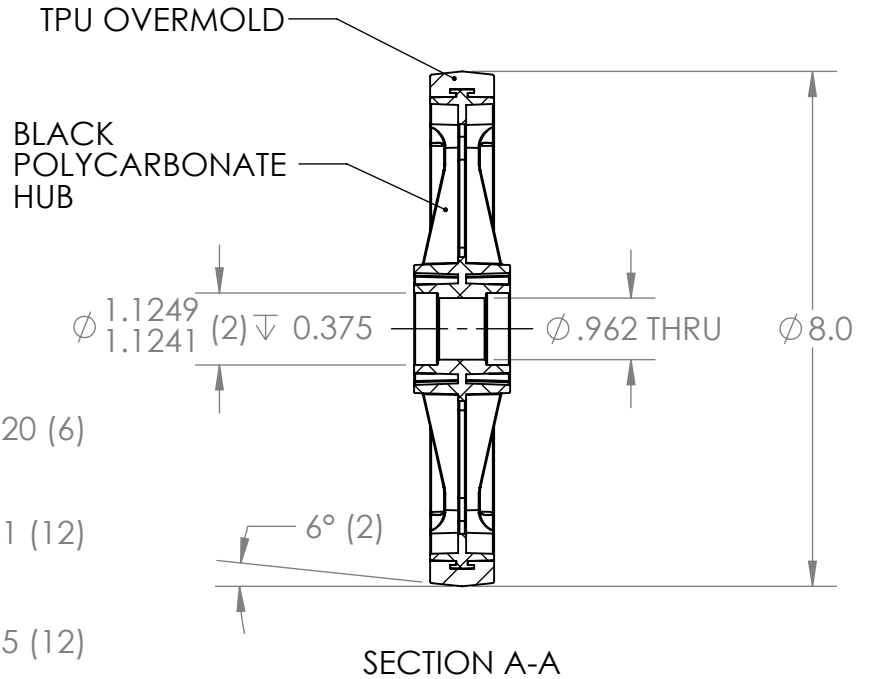
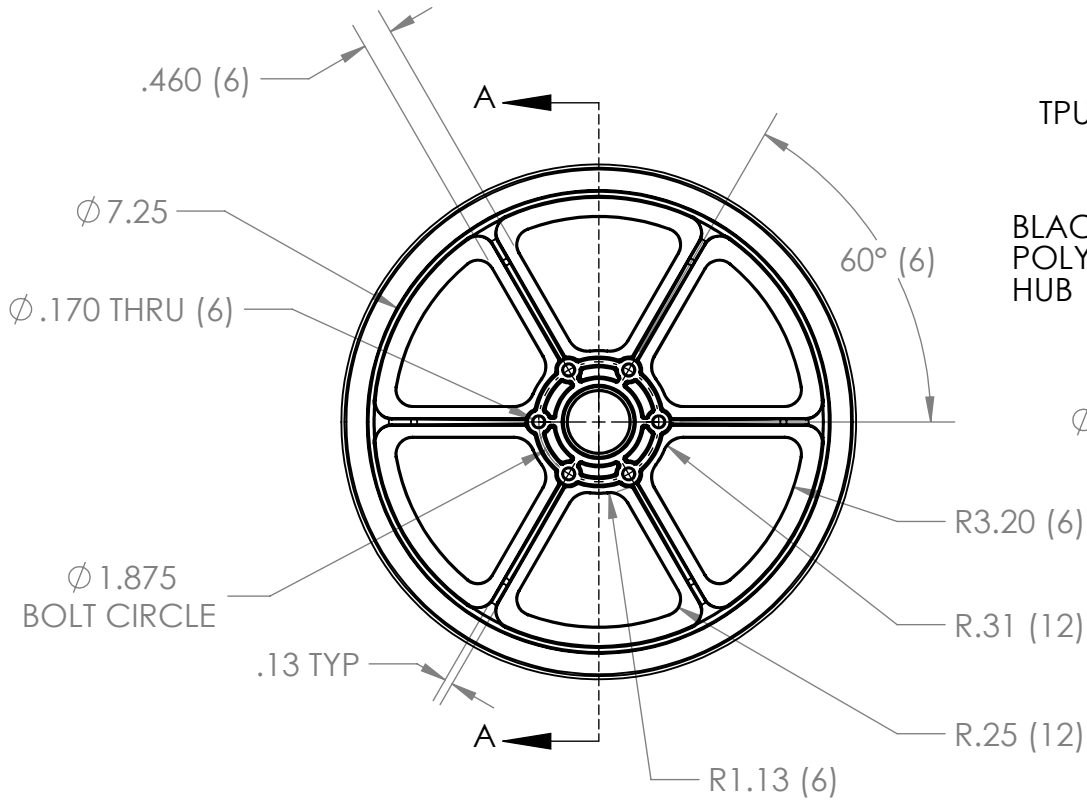



REVISION HISTORY			
REV.	DESCRIPTION	DATE	DRAWN BY
1	ORIGINAL PRINT	1/7/2010	A. BAKER
2	UPDATED TO AMDS-1	6/10/2021	E. SCIME



*** SEE CAD FOR ADDITIONAL TOOLPATH INFO***



UNLESS OTHERWISE SPECIFIED:		COMMENTS:				
DIMENSIONS ARE IN INCHES		DUAL DIMENSIONS ARE IN MILLIMETERS.				
TOLERANCES: FRACTIONAL ±1/16 ANGULAR: MACH ±1° ANGULAR: BEND ±5° ONE PLACE DECIMAL ±0.1 TWO PLACE DECIMAL ±0.01 THREE PLACE DECIMAL ±0.005 FOUR PLACE DECIMAL ±0.0005		BREAK ALL SHARP EDGES.		TITLE: 8IN SMOOTHGRIP WHEEL		
MATERIAL		FINISH		SIZE	DWG. NO.	REV
TPU OVERMOLD BLACK POLYCARBONATE HUB		DEBURRED		A	am-0420	2
DO NOT SCALE DRAWING		Q.A.		SCALE: 1:3		SHEET 1 OF 1