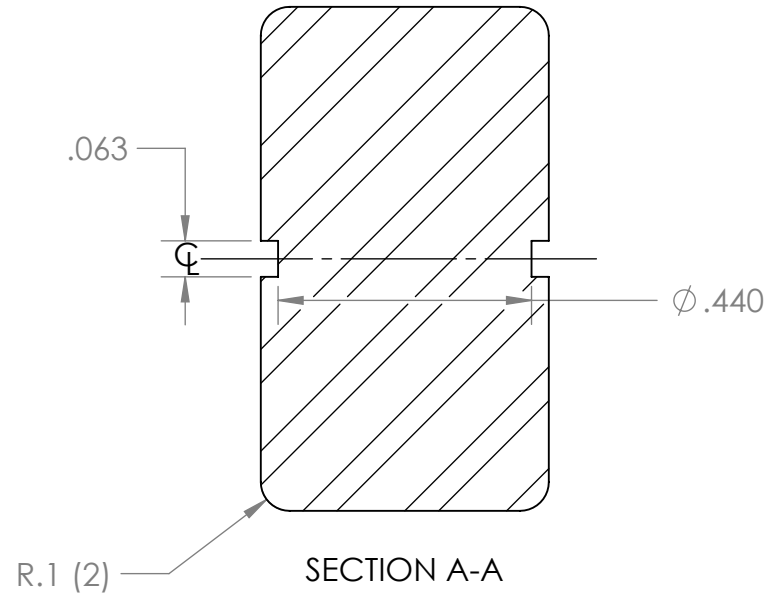
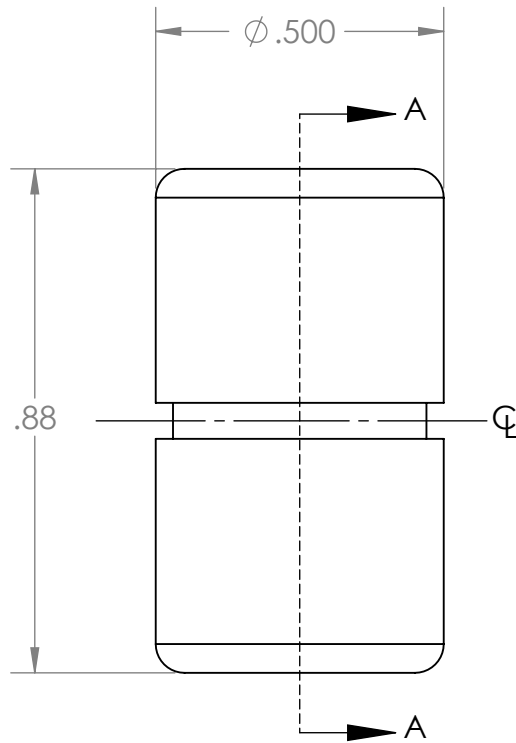
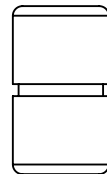
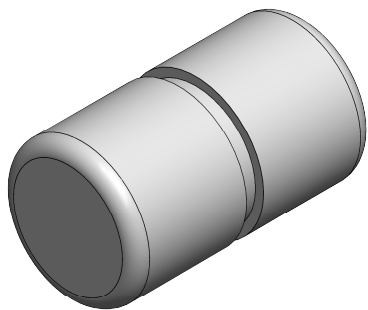



REVISION HISTORY			
REV.	DESCRIPTION	DATE	DRAWN BY
1	ORIGINAL PRINT	2/4/2021	N. MASSOUDA
2	REVISED DIMENTIONS AND FINISH	3/2/2021	N. MASSOUDA



*** SEE CAD FOR ADDITIONAL TOOLPATH INFO***



ACTUAL SIZE

UNLESS OTHERWISE SPECIFIED:		COMMENTS:				
DIMENSIONS ARE IN INCHES		DUAL DIMENSIONS ARE IN MILLIMETERS.				
TOLERANCES: FRACTIONAL ±1/16 ANGULAR: MACH ±1° ANGULAR: BEND ±5° ONE PLACE DECIMAL ±0.1 TWO PLACE DECIMAL ±0.01 THREE PLACE DECIMAL ±0.005 FOUR PLACE DECIMAL ±0.0005		BREAK ALL SHARP EDGES		CUBE WEIGHT		
MATERIAL		NAME	DATE	SIZE	DWG. NO.	REV
STEEL		CHECKED	3/3/21	A	am-4495	2
FINISH		ENG APPR.		SCALE: 3:1		
DEBURR & ZINC PLATE		MFG APPR.		WEIGHT:		SHEET 1 OF 1
DO NOT SCALE DRAWING		Q.A.				