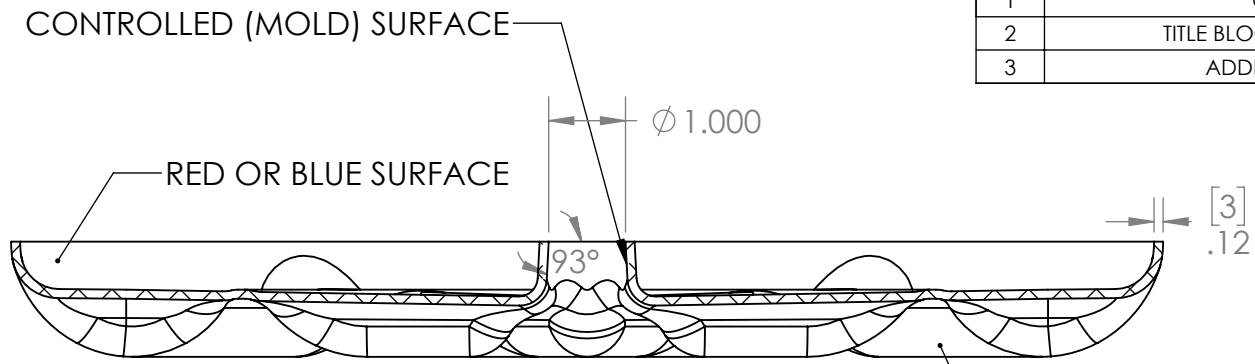
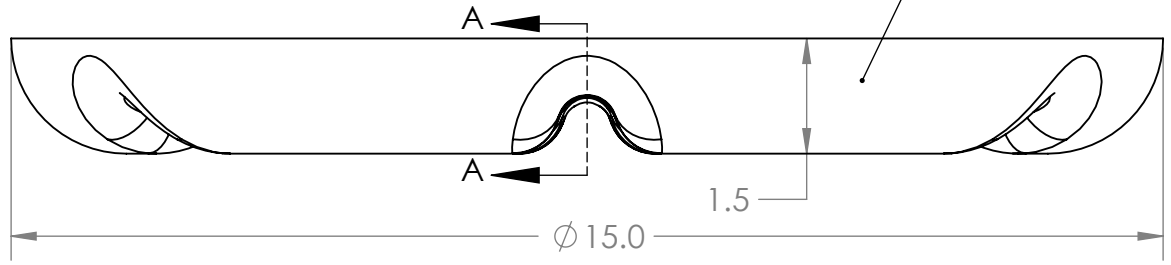


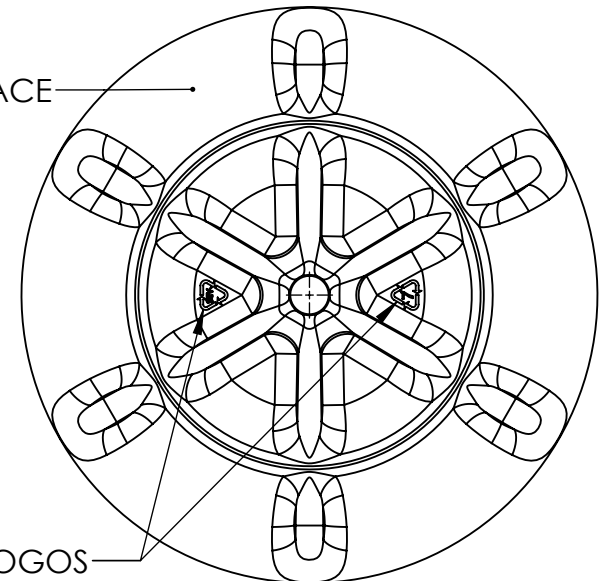
REVISION HISTORY			
REV.	DESCRIPTION	DATE	DRAWN BY
1	ORIGINAL PRINT	1/21/2021	N. MASSOUDA
2	TITLE BLOCK, DIMENTION FORMAT	3/8/2021	N. MASSOUDA
3	ADDED RECYCLE LOGOS	4/16/2021	N. MASSOUDA



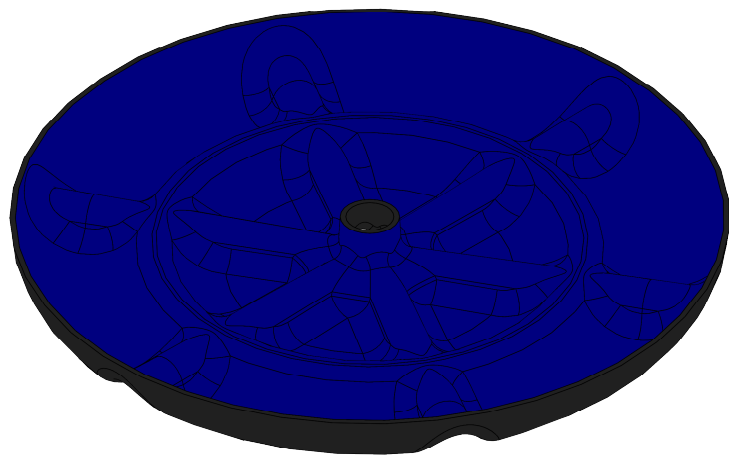
SECTION A-A  
SCALE 2 : 5




BLACK SURFACE



RECYCLE LOGOS



\*\*\* SEE CAD FOR ADDITIONAL TOOLPATH INFO\*\*\*

UNLESS OTHERWISE SPECIFIED:		COMMENTS:			
<b>DIMENSIONS ARE IN INCHES</b>		DUAL DIMENSIONS ARE IN MILLIMETERS.			
TOLERANCES:		BREAK ALL SHARP EDGES		TITLE:	
FRACTIONAL	±1/16			SHIPPING HUB	
ANGULAR: MACH	±1°			MIDDLE TRAY	
ANGULAR: BEND	±5°			SIZE	DWG. NO.
ONE PLACE DECIMAL	±0.1			<b>A</b>	am-4492R
TWO PLACE DECIMAL	±0.01				am-4492B
THREE PLACE DECIMAL	±0.005				REV
FOUR PLACE DECIMAL	±0.0005				<b>3</b>
MATERIAL	2 COLOR 3mm ABS	CHECKED	NAME		
FINISH	DEBURRED	ENG APPR.	DATE		
		MFG APPR.	4/16/21		
DO NOT SCALE DRAWING		Q.A.		SCALE: 1:2	WEIGHT:
					SHEET 1 OF 1