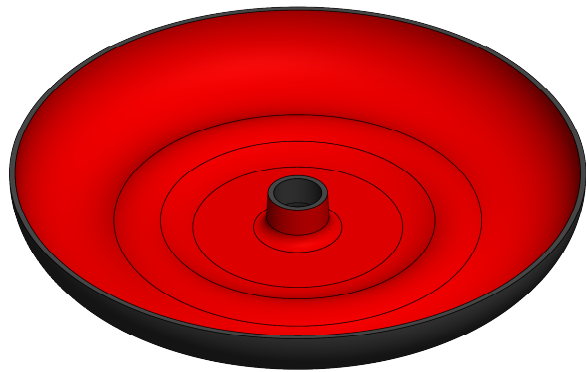
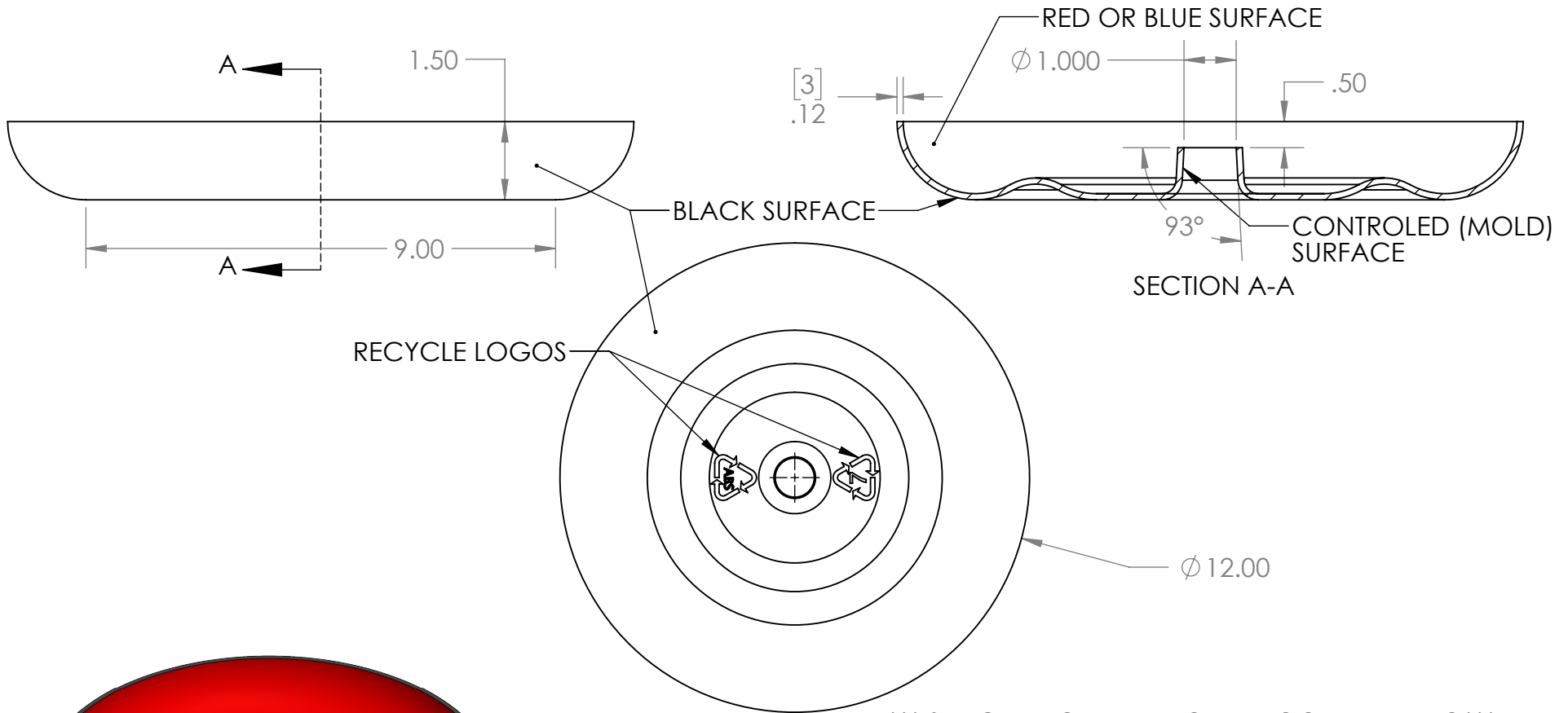



REVISION HISTORY			
REV.	DESCRIPTION	DATE	DRAWN BY
1	ORIGINAL PRINT	1/21/2021	N. MASSOUDA
2	PIPE INTERFACE GEOMETRY	3/8/2021	N. MASSOUDA
3	ADDED RECYCLE LOGOS	4/16/2021	N. MASSOUDA



*** SEE CAD FOR ADDITIONAL TOOLPATH INFO***

UNLESS OTHERWISE SPECIFIED:		COMMENTS:						
DIMENSIONS ARE IN INCHES		DUAL DIMENSIONS ARE IN MILLIMETERS.						
TOLERANCES:		BREAK ALL SHARP EDGES		TITLE:				
FRACTIONAL	±1/16			SHIPPING HUB UPPER TRAY				
ANGULAR: MACH	±1°							
ANGULAR: BEND	±5°							
ONE PLACE DECIMAL	±0.1							
TWO PLACE DECIMAL	±0.01							
THREE PLACE DECIMAL	±0.005			SIZE	DWG. NO.	REV		
FOUR PLACE DECIMAL	±0.0005			A	am-4493R am-4493B	3		
MATERIAL	2 COLOR 3mm ABS	CHECKED	NAME	DATE	SCALE: 1:3		WEIGHT:	SHEET 1 OF 1
FINISH	DEBURRED	ENG APPR.	KK	4/16/21				
DO NOT SCALE DRAWING		MFG APPR.						
		Q.A.						