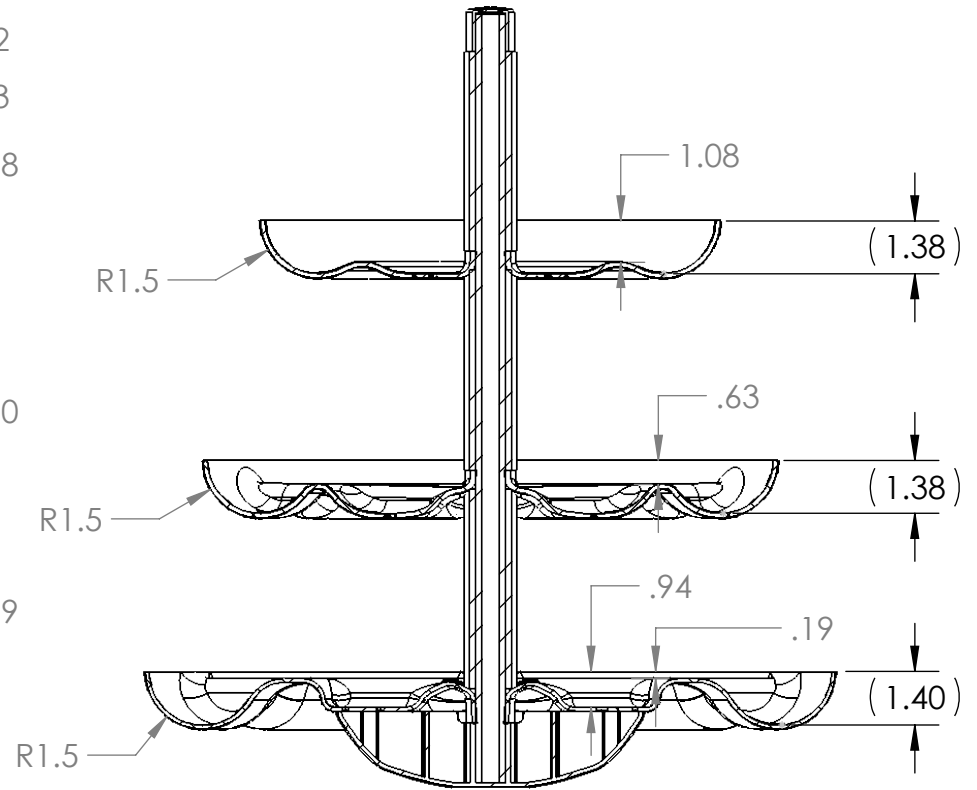
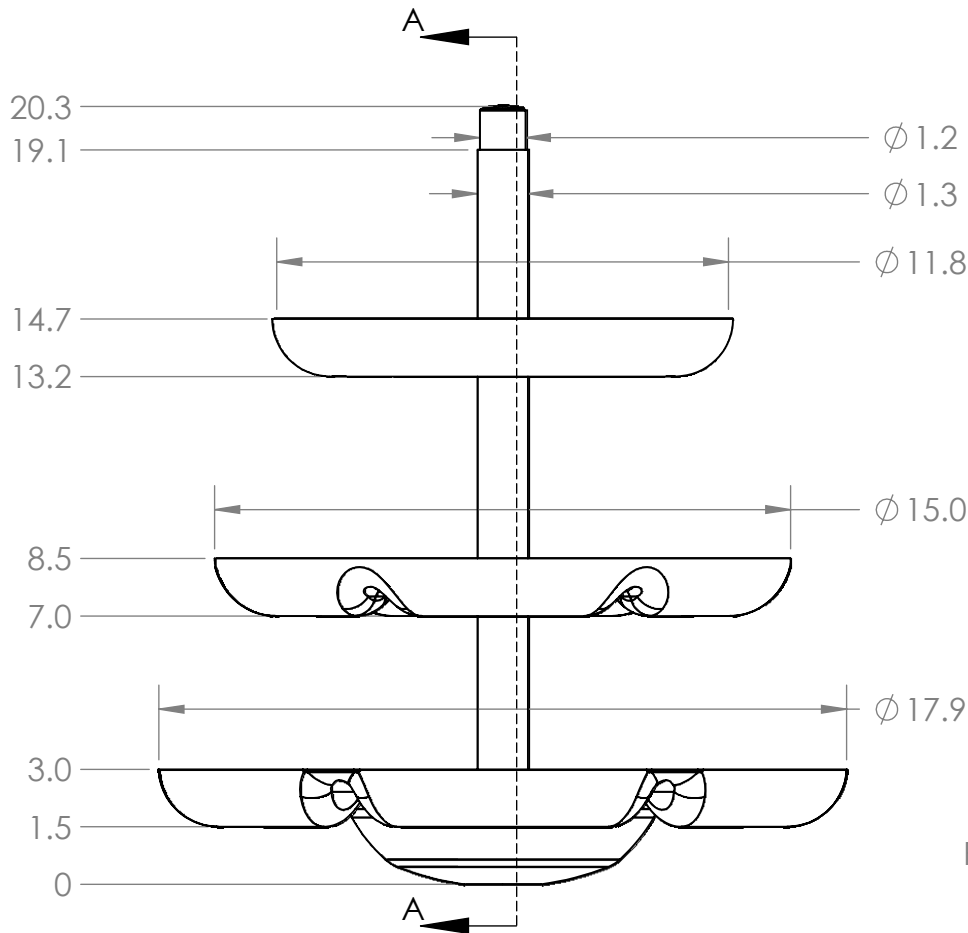
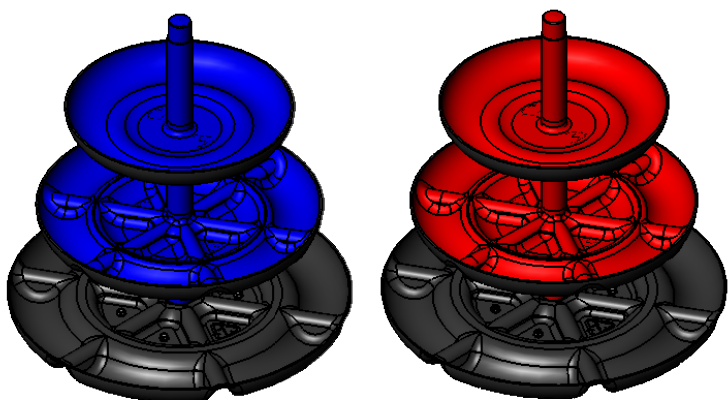



| REVISION HISTORY | | | |
|------------------|----------------|----------|--------------|
| REV. | DESCRIPTION | DATE | DRAWN BY |
| 1 | ORIGINAL PRINT | 9/1/2021 | B. HEININGER |



SECTION A-A

*** SEE CAD FOR ADDITIONAL TOOLPATH INFO***



| UNLESS OTHERWISE SPECIFIED: | | COMMENTS: | |  | | |
|---------------------------------|---------------|-------------------------------------|------|---|--------------|--------------|
| DIMENSIONS ARE IN INCHES | | DUAL DIMENSIONS ARE IN MILLIMETERS. | | TITLE: | | |
| TOLERANCES: | | BREAK ALL SHARP EDGES. | | FREIGHT FRENZY | | |
| FRACTIONAL | $\pm 1/16$ | | | ALLIANCE SHIPPING HUB | | |
| ANGULAR: MACH | $\pm 1^\circ$ | | | SIZE | DWG. NO. | REV |
| ANGULAR: BEND | $\pm 5^\circ$ | | | A | am-4507_blue | 1 |
| ONE PLACE DECIMAL | ± 0.1 | | | am-4507_red | | |
| TWO PLACE DECIMAL | ± 0.01 | | | SCALE: 1:5 | | SHEET 1 OF 1 |
| THREE PLACE DECIMAL | ± 0.005 | | | | | |
| FOUR PLACE DECIMAL | ± 0.0005 | | | | | |
| MATERIAL | VARIOUS | CHECKED | NAME | DATE | | |
| FINISH | ASSEMBLED | ENG APPR. | NL | 9/1/21 | | |
| DO NOT SCALE DRAWING | | MFG APPR. | | | | |
| | | Q.A. | | | | |