

4

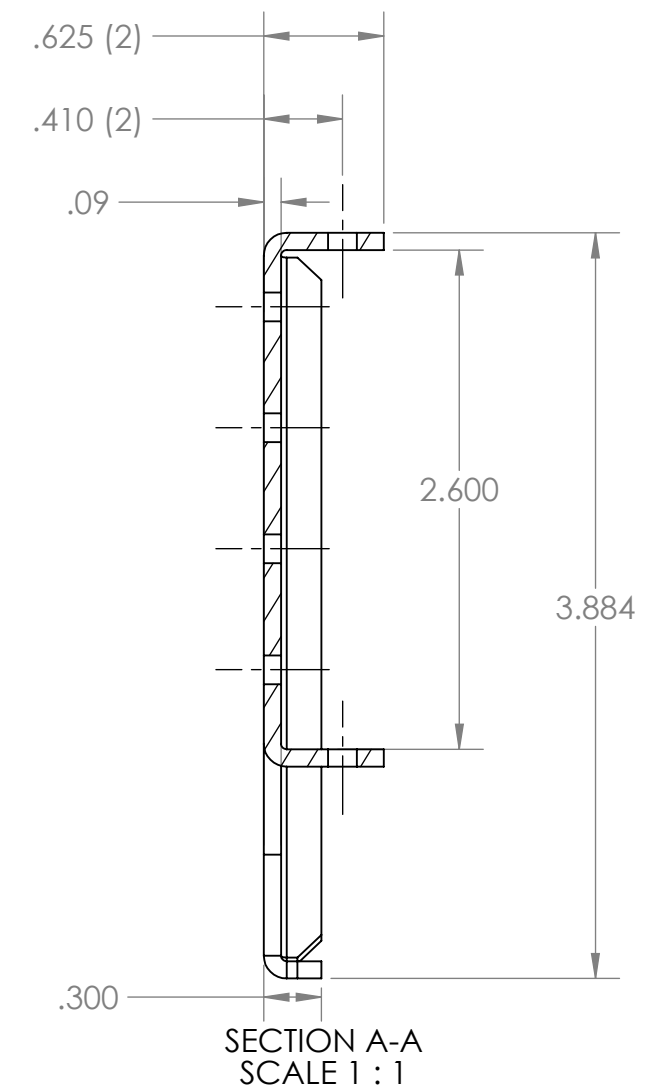
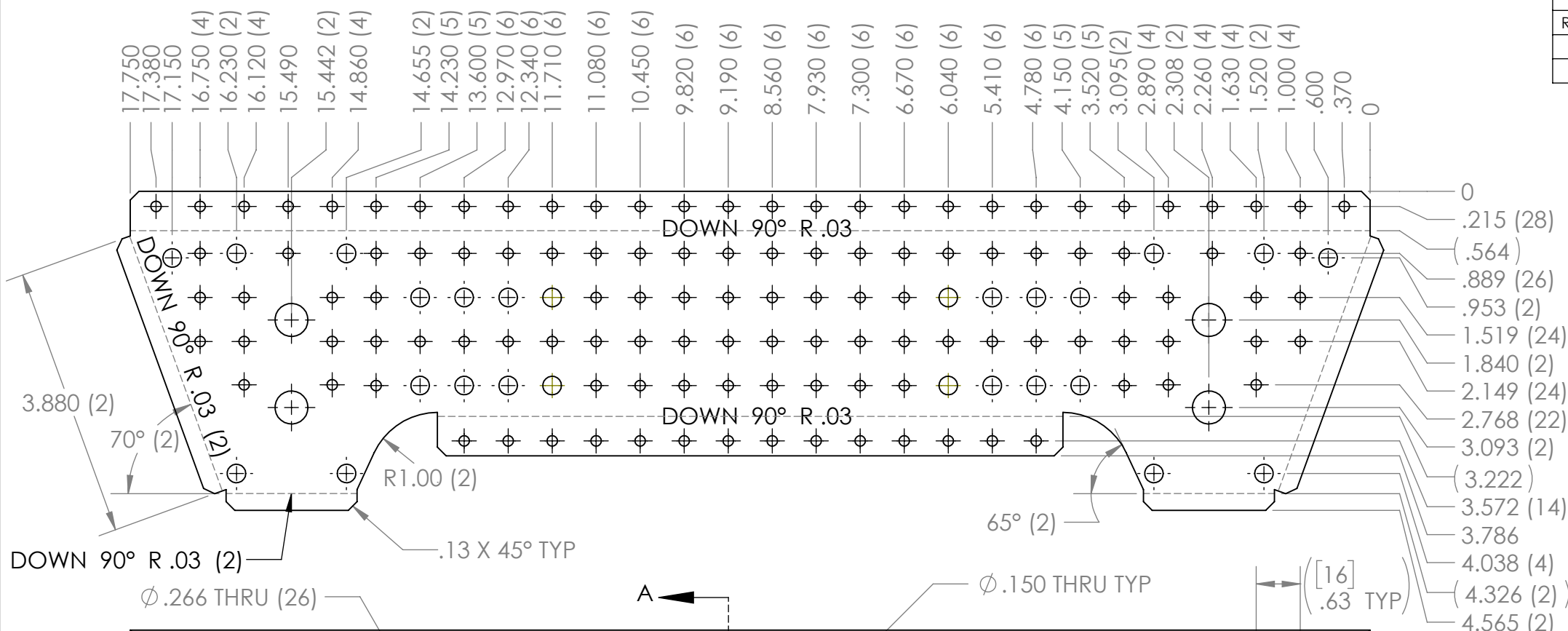
3

2

1

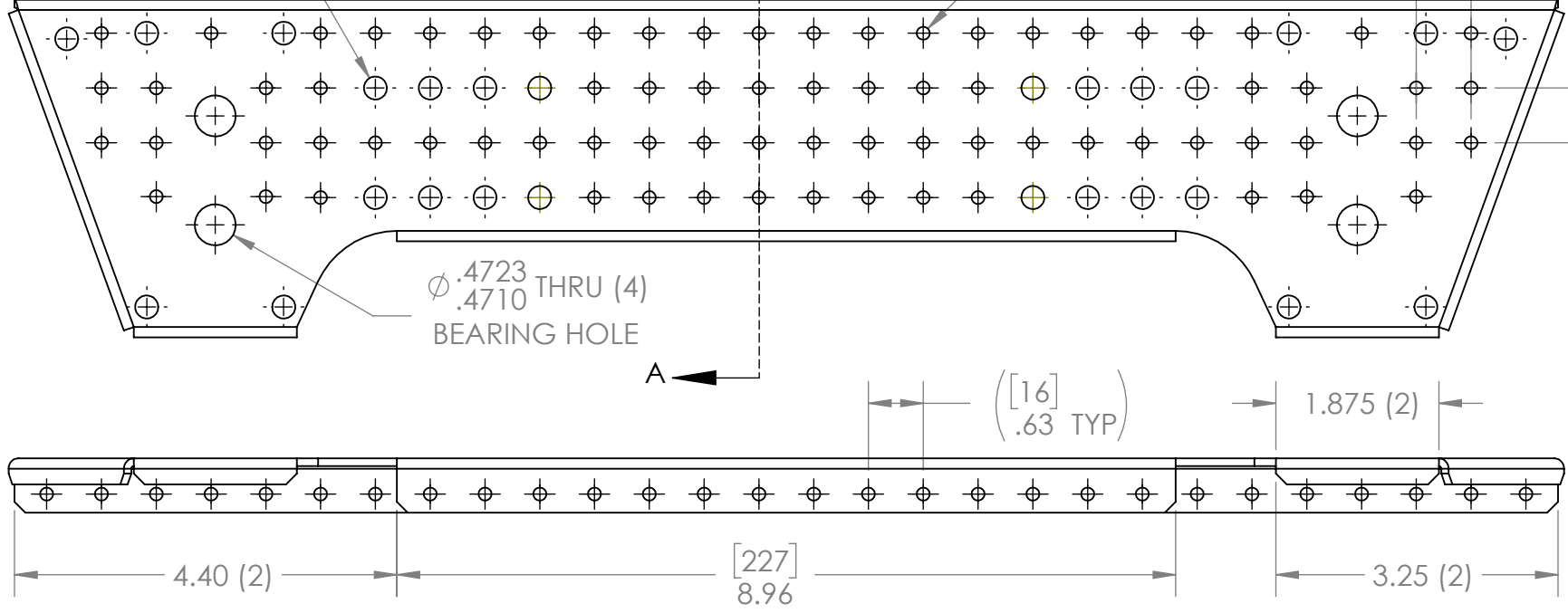
REVISION HISTORY			
REV.	DESCRIPTION	DATE	DRAWN BY
1	ORIGINAL PRINT	6/11/2021	E. SCIME
2	ADDED ADDITIONAL PICOBOX HOLES	8/3/2021	E. SCIME

B

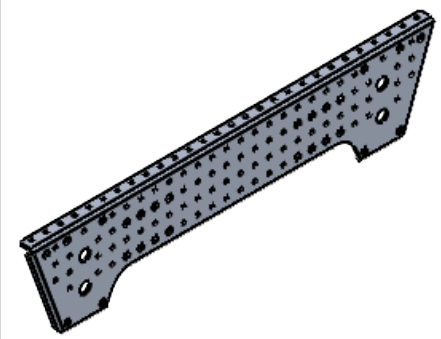


B

A



A



\*\*\* SEE CAD FOR ADDITIONAL TOOLPATH INFO\*\*\*

UNLESS OTHERWISE SPECIFIED:		COMMENTS:				
<b>DIMENSIONS ARE IN INCHES</b>		DUAL DIMENSIONS ARE IN MILLIMETERS.				
TOLERANCES:		BREAK ALL SHARP EDGES.		SIZE		
FRACTIONAL	$\pm 1/16$			DWG. NO.		
ANGULAR: MACH	$\pm 1^\circ$			REV		
ANGULAR: BEND	$\pm 5^\circ$			2		
ONE PLACE DECIMAL	$\pm 0.1$			SCALE: 1:2		
TWO PLACE DECIMAL	$\pm 0.01$			SHEET 1 OF 1		
THREE PLACE DECIMAL	$\pm 0.005$					
FOUR PLACE DECIMAL	$\pm 0.0005$					
MATERIAL		NAME		DATE		
5052 AL		KK		8/11/21		
FINISH		CHECKED		MFG APPR.		
DEBURRED		ENG APPR.		Q.A.		
DO NOT SCALE DRAWING						

4

3

2

1