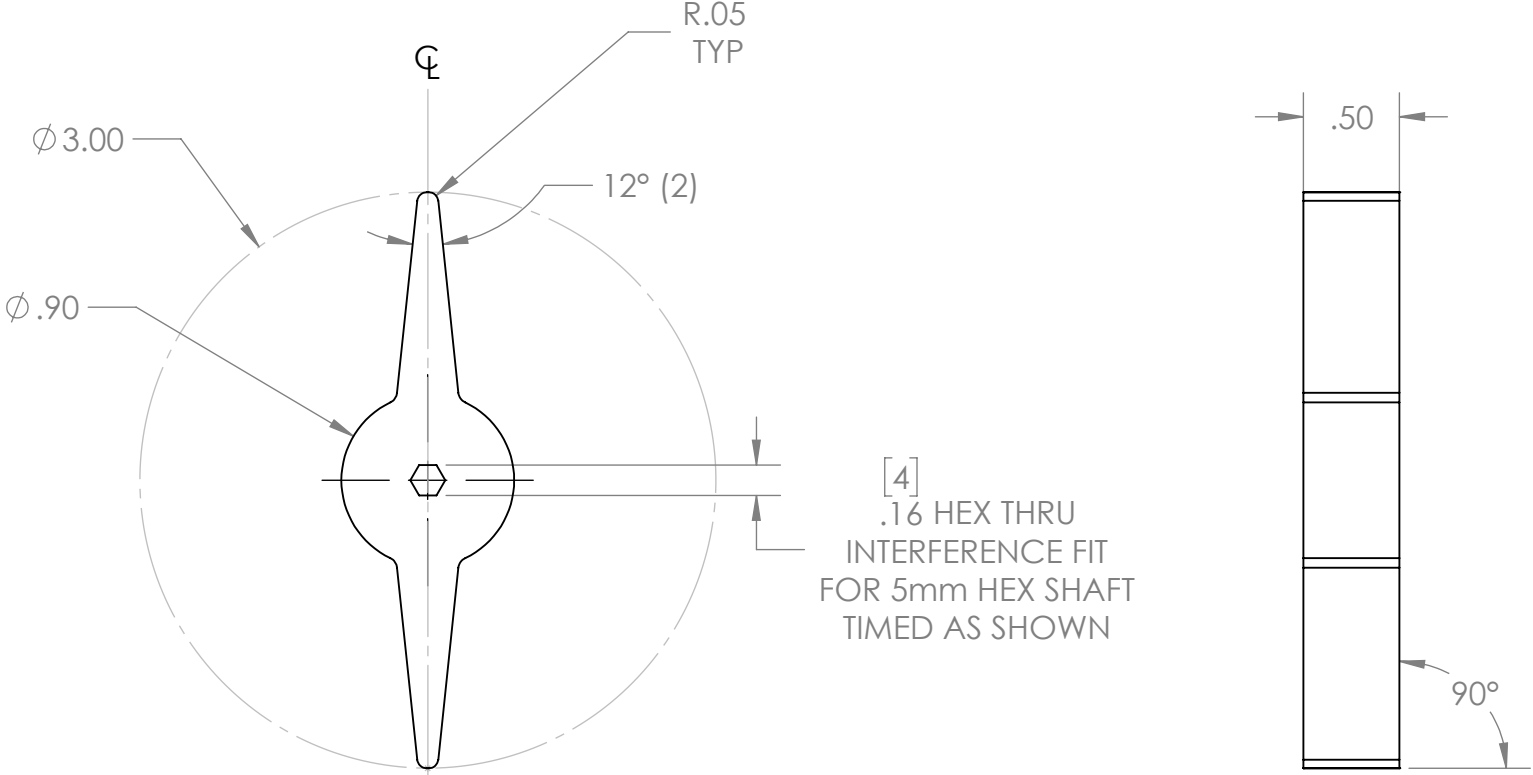
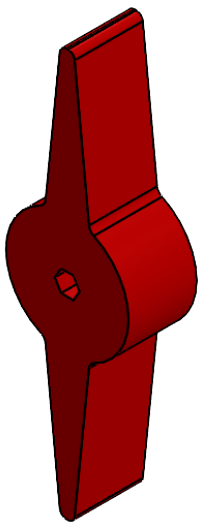



REVISION HISTORY			
REV.	DESCRIPTION	DATE	DRAWN BY
1	ORIGINAL PRINT	9/1/2021	N. MASSOUDA



[4]  
 .16 HEX THRU  
 INTERFERENCE FIT  
 FOR 5mm HEX SHAFT  
 TIMED AS SHOWN



\*\*\* SEE CAD FOR ADDITIONAL TOOLPATH INFO\*\*\*

UNLESS OTHERWISE SPECIFIED:		COMMENTS:				
<b>DIMENSIONS ARE IN INCHES</b>		DUAL DIMENSIONS ARE IN MILLIMETERS.				
TOLERANCES: FRACTIONAL ±1/16 ANGULAR: MACH ±1° ANGULAR: BEND ±5° ONE PLACE DECIMAL ±0.1 TWO PLACE DECIMAL ±0.01 THREE PLACE DECIMAL ±0.005 FOUR PLACE DECIMAL ±0.0005		BREAK ALL SHARP EDGES		SIZE DWG. NO. REV		
MATERIAL <b>45A RED SILICONE</b>		CHECKED	NAME NL	DATE 9/1/21	<b>A am-4623 1</b>	
FINISH <b>DEBURRED</b>		ENG APPR.				
DO NOT SCALE DRAWING		MFG APPR.			SCALE: 1:1 WEIGHT: SHEET 1 OF 1	
Q.A.						