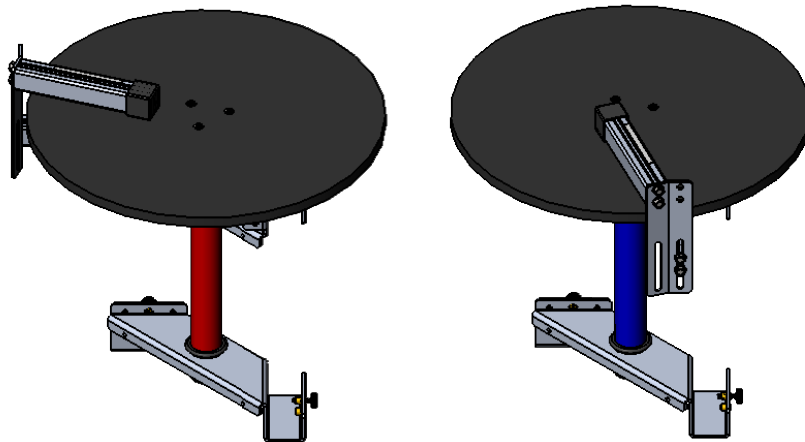
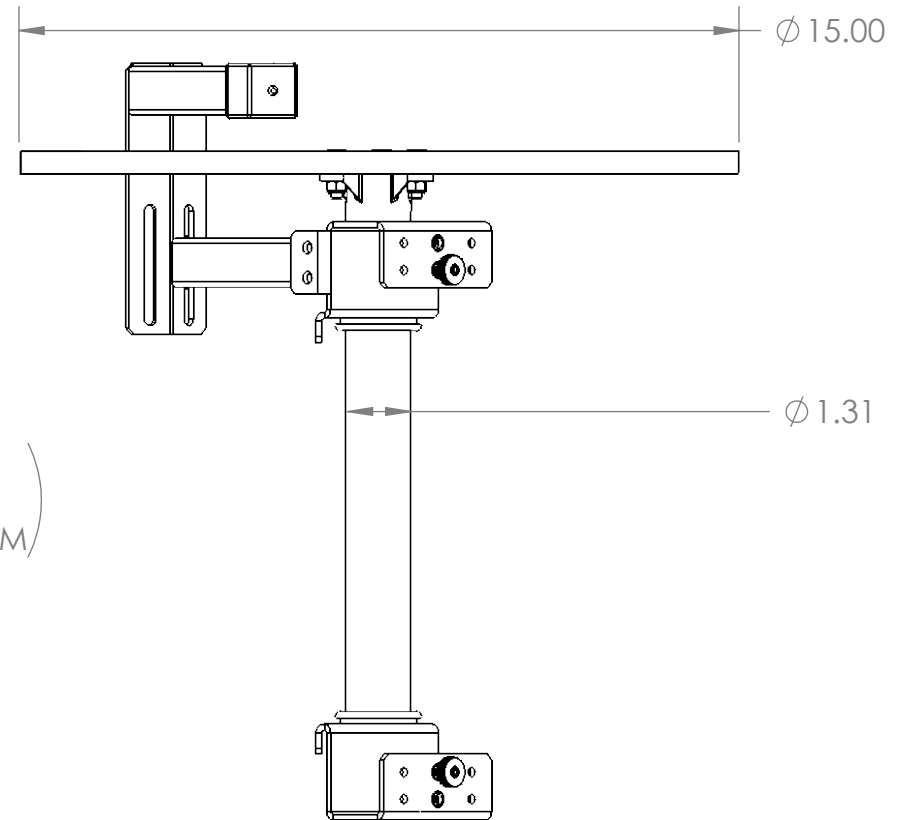
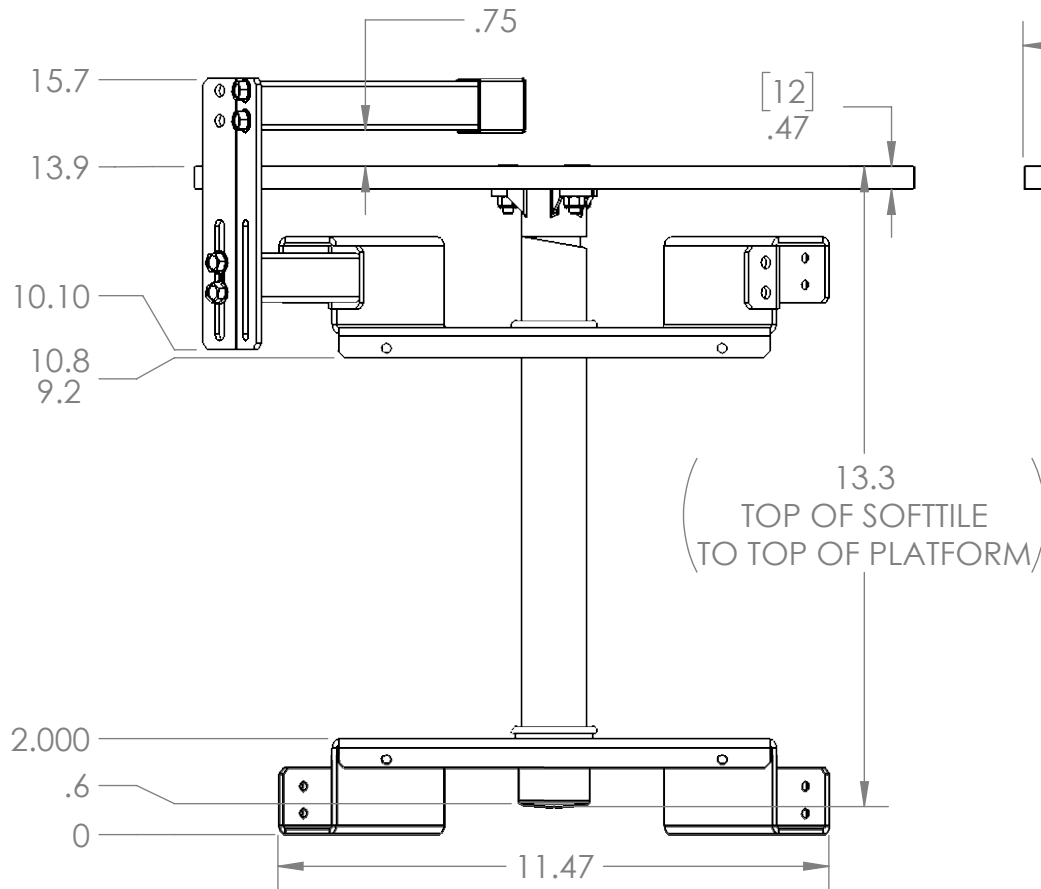


REVISION HISTORY			
REV.	DESCRIPTION	DATE	DRAWN BY
1	ORIGINAL PRINT	9/02/2021	B. HEININGER



*** SEE CAD FOR ADDITIONAL TOOLPATH INFO***

UNLESS OTHERWISE SPECIFIED:		COMMENTS:	
DIMENSIONS ARE IN INCHES		DUAL DIMENSIONS ARE IN MILLIMETERS.	
TOLERANCES:		BREAK ALL SHARP EDGES.	
FRACTIONAL	±1/16		
ANGULAR: MACH	±1°		
ANGULAR: BEND	±5°		
ONE PLACE DECIMAL	±0.1		
TWO PLACE DECIMAL	±0.01		
THREE PLACE DECIMAL	±0.005		
FOUR PLACE DECIMAL	±0.0005		
MATERIAL	VARIOUS	CHECKED	NAME
FINISH	ASSEMBLED	ENG APPR.	NL
		MFG APPR.	DATE
		Q.A.	9/16/21
DO NOT SCALE DRAWING			



TITLE:
**FREIGHT FRENZY
CAROUSEL**

SIZE	DWG. NO.	REV
A	am-4550_Red am-4550_Blue	1
SCALE: 1:4		SHEET 1 OF 1

5

4

3

2

1