

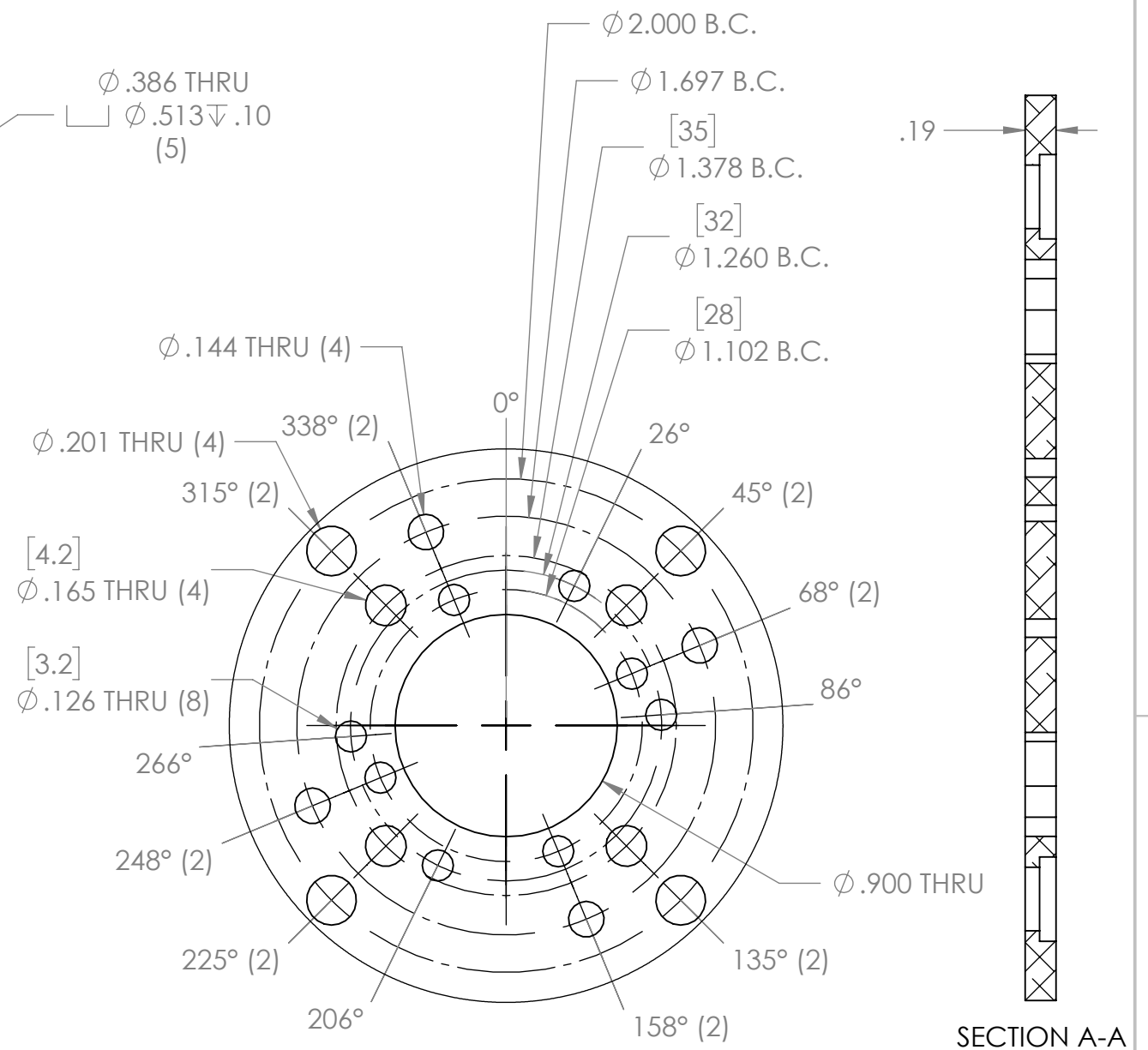
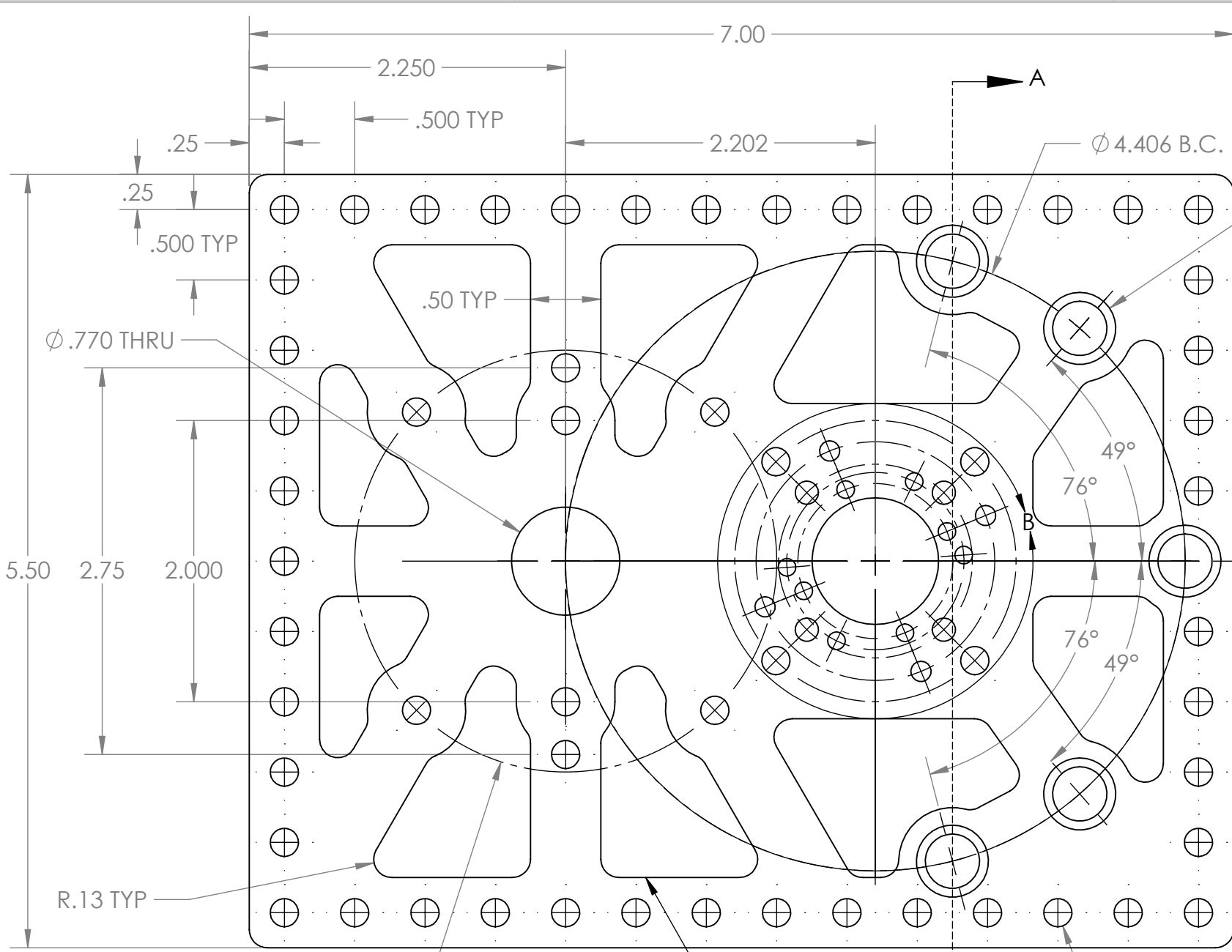
4

3

2

1

REVISION HISTORY			
REV.	DESCRIPTION	DATE	DRAWN BY
1	ORIGINAL PRINT	7/9/2021	N. MASSOUDA

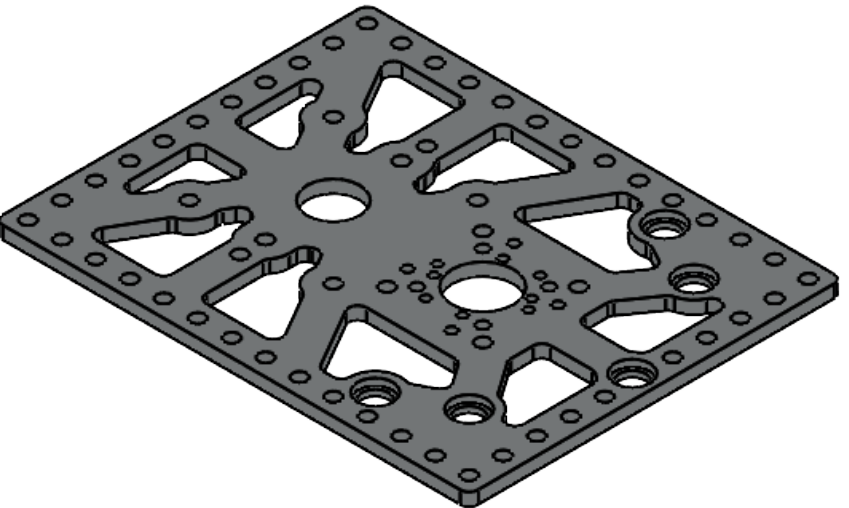


B

B

A

A



4

3

2

1

*** SEE CAD FOR ADDITIONAL TOOLPATH INFO***

UNLESS OTHERWISE SPECIFIED:		COMMENTS:			
DIMENSIONS ARE IN INCHES		DUAL DIMENSIONS ARE IN MILLIMETERS.			
TOLERANCES:		BREAK ALL SHARP EDGES.		TITLE:	
FRACTIONAL	$\pm 1/16$			SWERVE & STEER	
ANGULAR: MACH	$\pm 1^\circ$			MOTOR MOUNT PLATE	
ANGULAR: BEND	$\pm 5^\circ$			SIZE	DWG. NO.
ONE PLACE DECIMAL	± 0.1			B	am-3012d
TWO PLACE DECIMAL	± 0.01			SCALE: 1:1	SHEET 1 OF 1
THREE PLACE DECIMAL	± 0.005				
FOUR PLACE DECIMAL	± 0.0005				
MATERIAL	AL 6061-T6	CHECKED	NAME	DATE	REV
FINISH	TUMBLER	ENG APPR.	NL	7/9/21	1
DO NOT SCALE DRAWING		MFG APPR.			
		Q.A.			