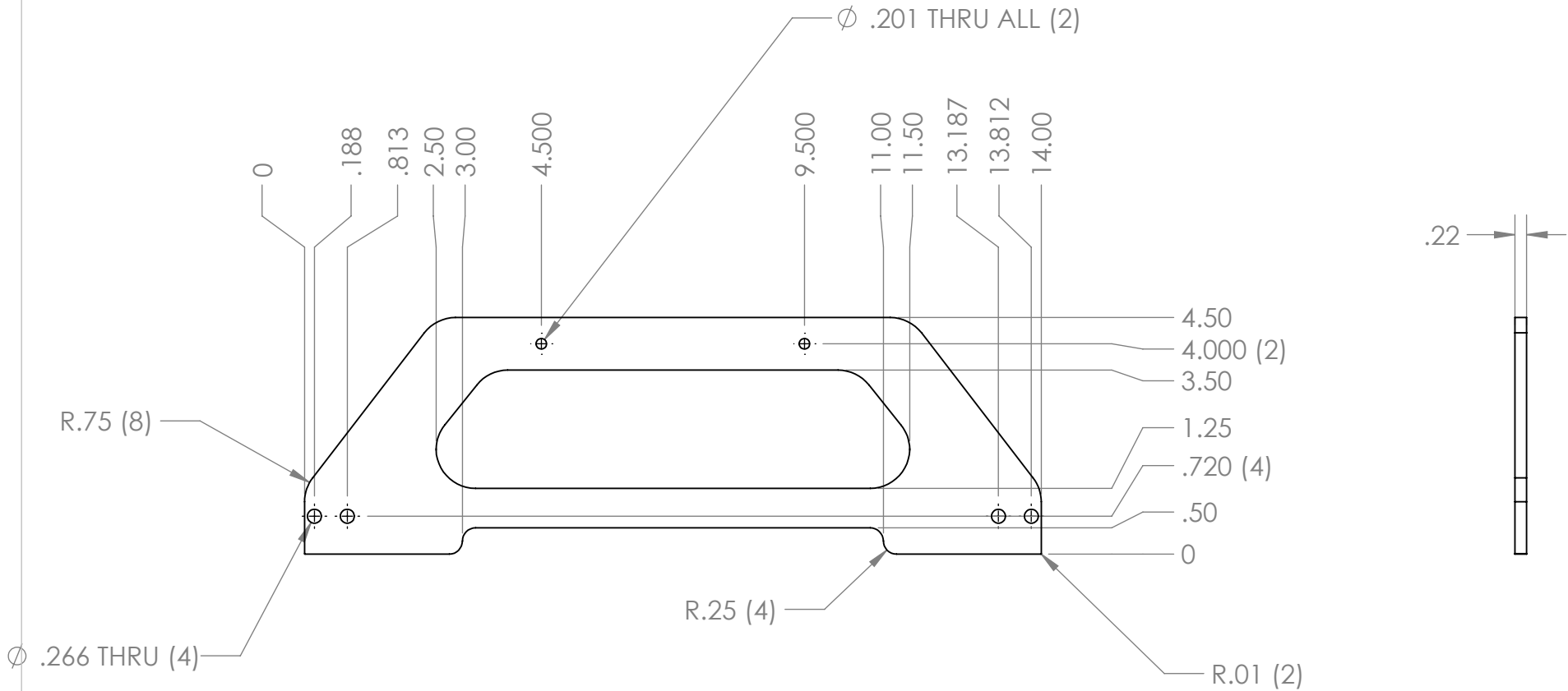



REVISION HISTORY			
REV.	DESCRIPTION	DATE	DRAWN BY
1	ORIGINAL PRINT	8/12/2021	R. SIMPSON



*** SEE CAD FOR ADDITIONAL TOOLPATH INFO***

UNLESS OTHERWISE SPECIFIED:		COMMENTS:					
DIMENSIONS ARE IN INCHES		DUAL DIMENSIONS ARE IN MILLIMETERS.					TITLE:
TOLERANCES: FRACTIONAL ±1/16 ANGULAR: MACH ±1° ANGULAR: BEND ±5° ONE PLACE DECIMAL ±0.1 TWO PLACE DECIMAL ±0.01 THREE PLACE DECIMAL ±0.0005 FOUR PLACE DECIMAL ±0.0005		BREAK ALL SHARP EDGES		DRIVER STATION POLYCARB HANDLE			
MATERIAL .220 PC		CHECKED	NAME KK	DATE 08/11/21	SIZE A	DWG. NO. am-4616_handle	REV 1
FINISH DEBURRED		ENG APPR.		SCALE: 1:3		WEIGHT:	SHEET 1 OF 1
DO NOT SCALE DRAWING		Q.A.					

5

4

3

2

1