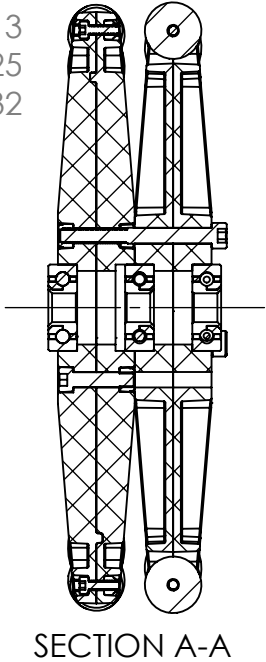
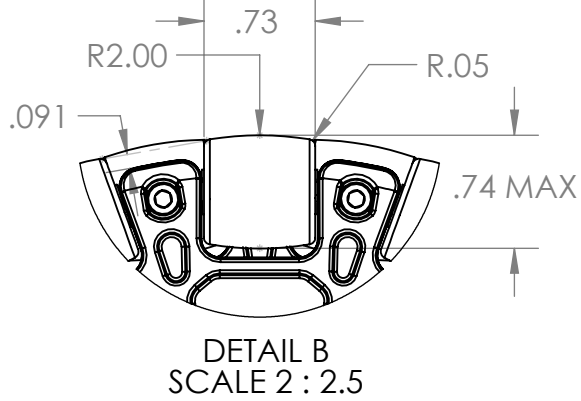
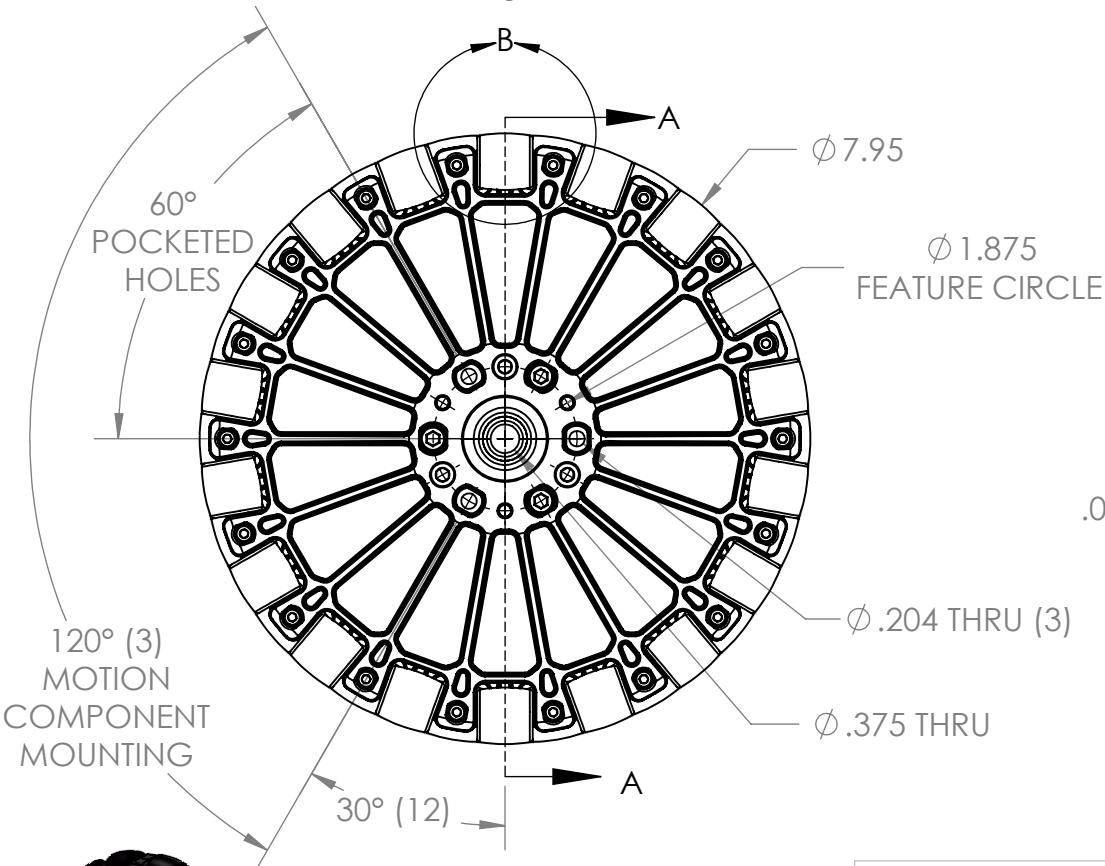
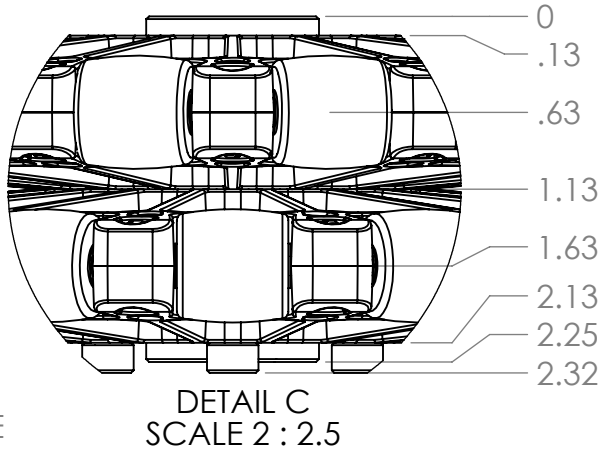
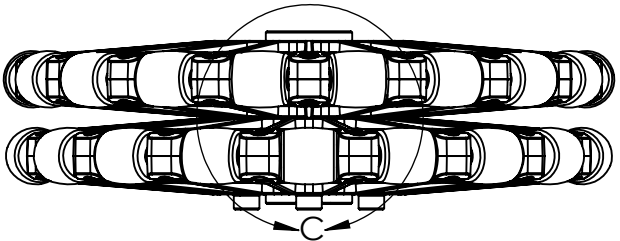
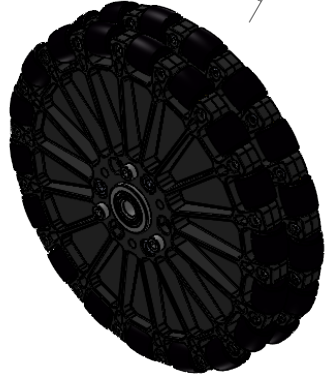


REVISION HISTORY			
REV.	DESCRIPTION	DATE	DRAWN BY
1	ORIGINAL PRINT	9/29/2021	B. HEININGER



*** SEE CAD FOR ADDITIONAL TOOLPATH INFO***



UNLESS OTHERWISE SPECIFIED:		COMMENTS:	
DIMENSIONS ARE IN INCHES		DUAL DIMENSIONS ARE IN MILLIMETERS.	
TOLERANCES:		BREAK ALL SHARP EDGES.	
FRACTIONAL	±1/16		
ANGULAR: MACH	±1°		
ANGULAR: BEND	±5°		
ONE PLACE DECIMAL	±0.1		
TWO PLACE DECIMAL	±0.01		
THREE PLACE DECIMAL	±0.005		
FOUR PLACE DECIMAL	±0.0005		
MATERIAL	POLYCARBONATE BODY SBR RUBBER ROLLERS	NAME	DATE
FINISH	ASSEMBLED	CHECKED	NL 10/1/21
		ENG APPR.	
		MFG APPR.	
	DO NOT SCALE DRAWING	Q.A.	



TITLE: 8 IN PLASTIC
DUALIE OMNI WHEEL
WITH 3/8 IN ID BEARINGS

SIZE	DWG. NO.	REV
A	am-0474a	1
SCALE: 1:2.5		SHEET 1 OF 1