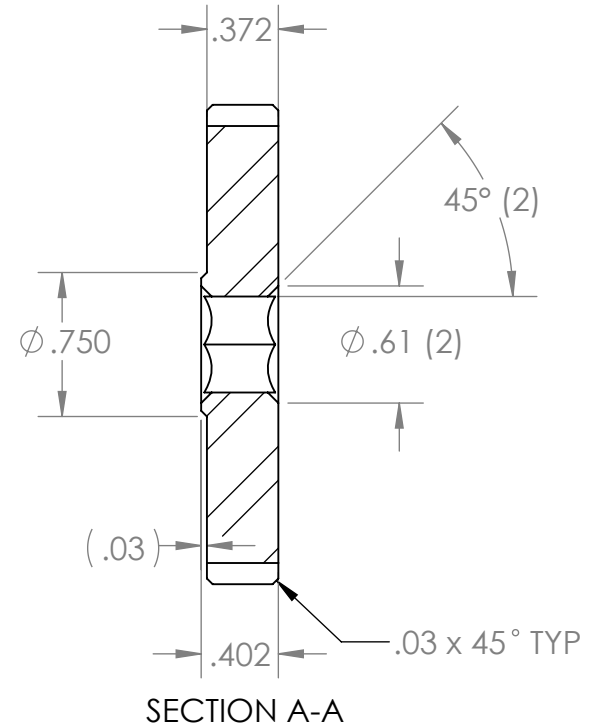
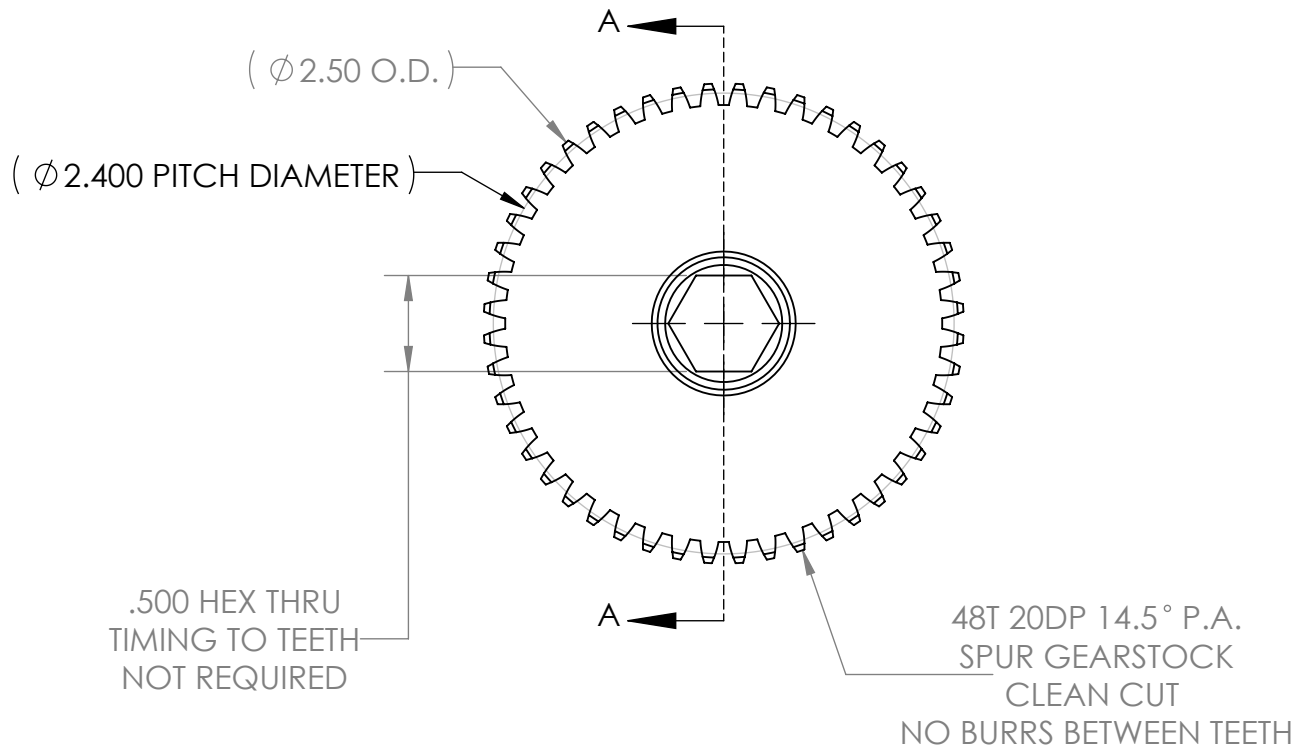
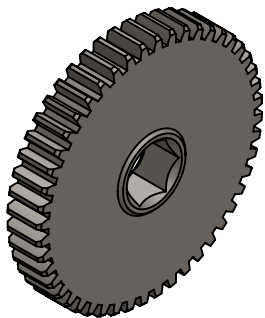



| REVISION HISTORY | | | |
|------------------|--|-----------|-------------|
| REV. | DESCRIPTION | DATE | DRAWN BY |
| 1 | ORIGINAL PRINT | 8/27/2012 | A. BAKER |
| 2 | ADDED TEETH, REDRAWN | 7/29/2014 | R. BAKER |
| 3 | UPDATED DRAWING TEMPLATE AND PILOT BORE | 7/10/2019 | N. MASSOUDA |
| 4 | REMOVED PILOT, ADDED HEX BORE AND CHAMFERS | 9/1/2021 | N. LAWRENCE |



*** SEE CAD FOR ADDITIONAL TOOLPATH INFO***



| UNLESS OTHERWISE SPECIFIED: | | COMMENTS: | |  | | | |
|---|--|-------------------------------------|---------|---|------------|----------|--------------|
| DIMENSIONS ARE IN INCHES | | DUAL DIMENSIONS ARE IN MILLIMETERS. | | | | | TITLE: |
| TOLERANCES: FRACTIONAL $\pm 1/16$ ANGULAR: MACH $\pm 1^\circ$ ANGULAR: BEND $\pm 5^\circ$ ONE PLACE DECIMAL ± 0.1 TWO PLACE DECIMAL ± 0.01 THREE PLACE DECIMAL ± 0.005 FOUR PLACE DECIMAL ± 0.0005 | | BREAK ALL SHARP EDGES. | | 48T 20DP 14.5PA 500IN HEX BORE GEAR | | | |
| MATERIAL 4140 STEEL | | CHECKED | NAME NM | DATE | SIZE | DWG. NO. | REV |
| FINISH DEBURRED ZINC PLATED | | ENG APPR. | | 10/27/21 | A | am-0885 | 4 |
| DO NOT SCALE DRAWING | | MFG APPR. | | | SCALE: 1:1 | | SHEET 1 OF 1 |
| | | Q.A. | | | | | |