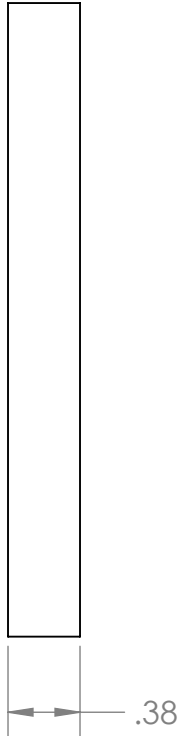
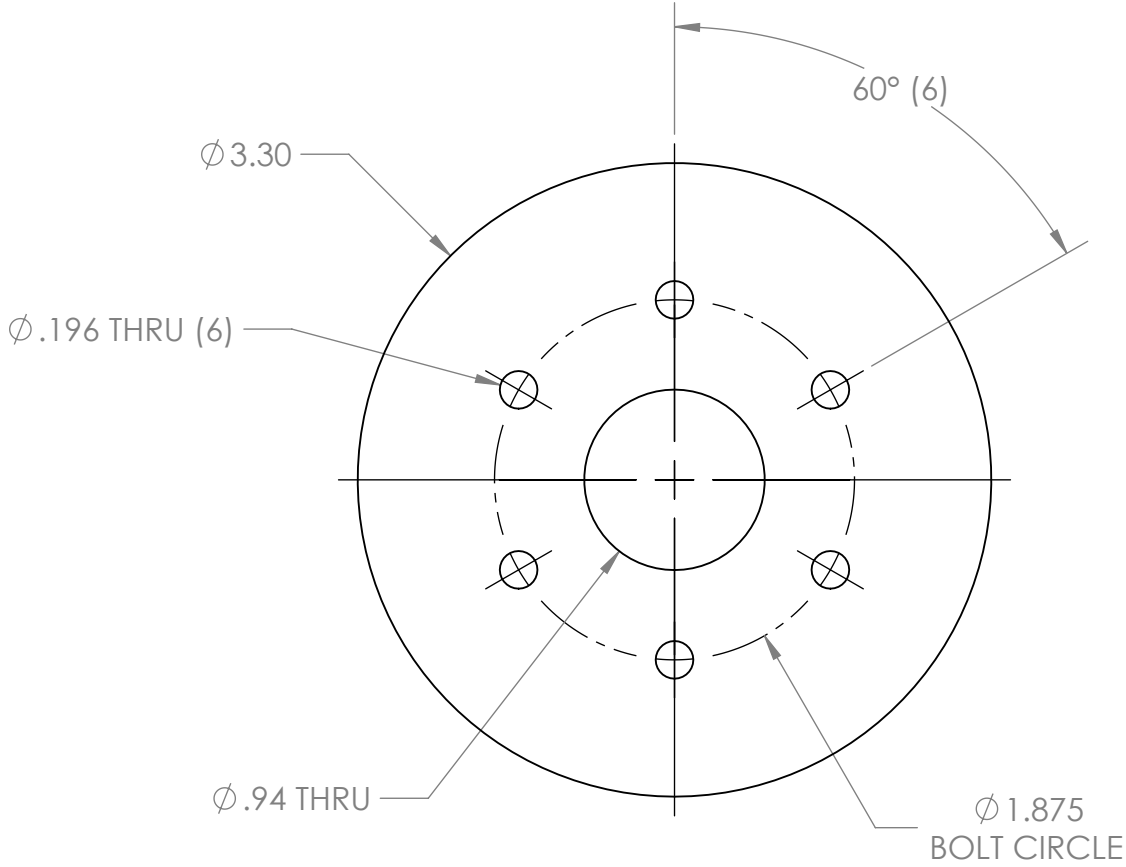
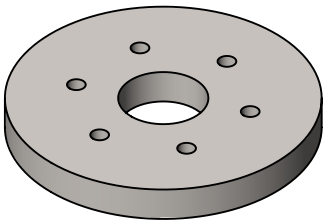



REVISION HISTORY			
REV.	DESCRIPTION	DATE	DRAWN BY
1	ORIGINAL PRINT	12/14/2021	N. LAWRENCE



*** SEE CAD FOR ADDITIONAL TOOLPATH INFO***



UNLESS OTHERWISE SPECIFIED:		COMMENTS:					
DIMENSIONS ARE IN INCHES		DUAL DIMENSIONS ARE IN MILLIMETERS.					
TOLERANCES: FRACTIONAL $\pm 1/16$ ANGULAR: MACH $\pm 1^\circ$ ANGULAR: BEND $\pm 5^\circ$ ONE PLACE DECIMAL ± 0.1 TWO PLACE DECIMAL ± 0.01 THREE PLACE DECIMAL ± 0.005 FOUR PLACE DECIMAL ± 0.0005		BREAK ALL SHARP EDGES.		TITLE: STEALTH WHEEL FLYWHEEL			
MATERIAL HR A36 STEEL		CHECKED	NAME NM	DATE 12/14/21	SIZE A	DWG. NO. am-4019	REV 1
FINISH DEBURRED ZINC PLATED		ENG APPR.		MFG APPR.		SCALE: 1:1	
DO NOT SCALE DRAWING		Q.A.				SHEET 1 OF 1	