

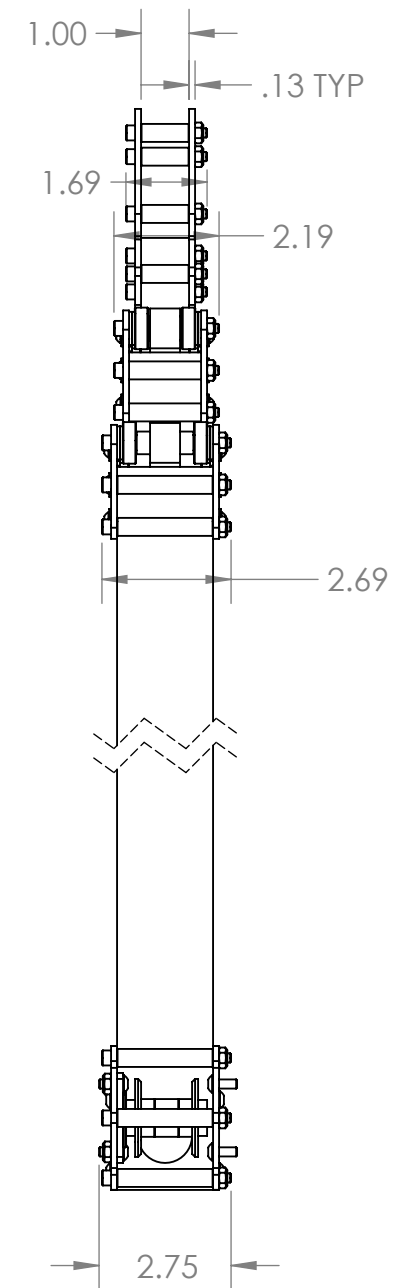
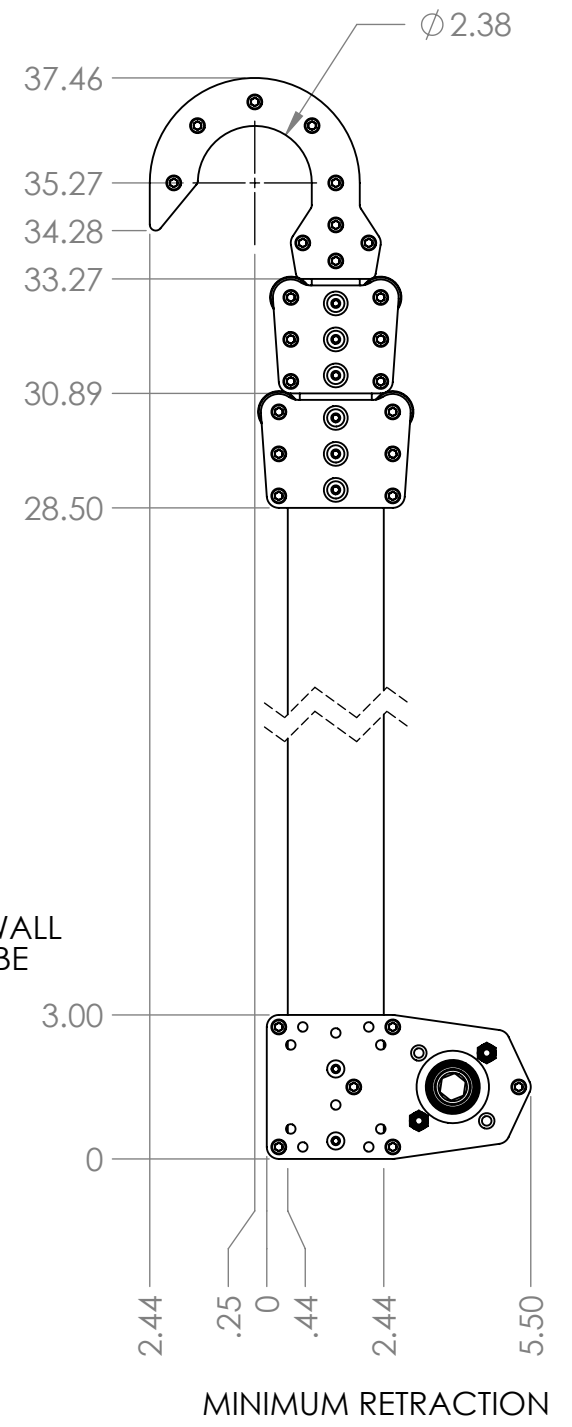
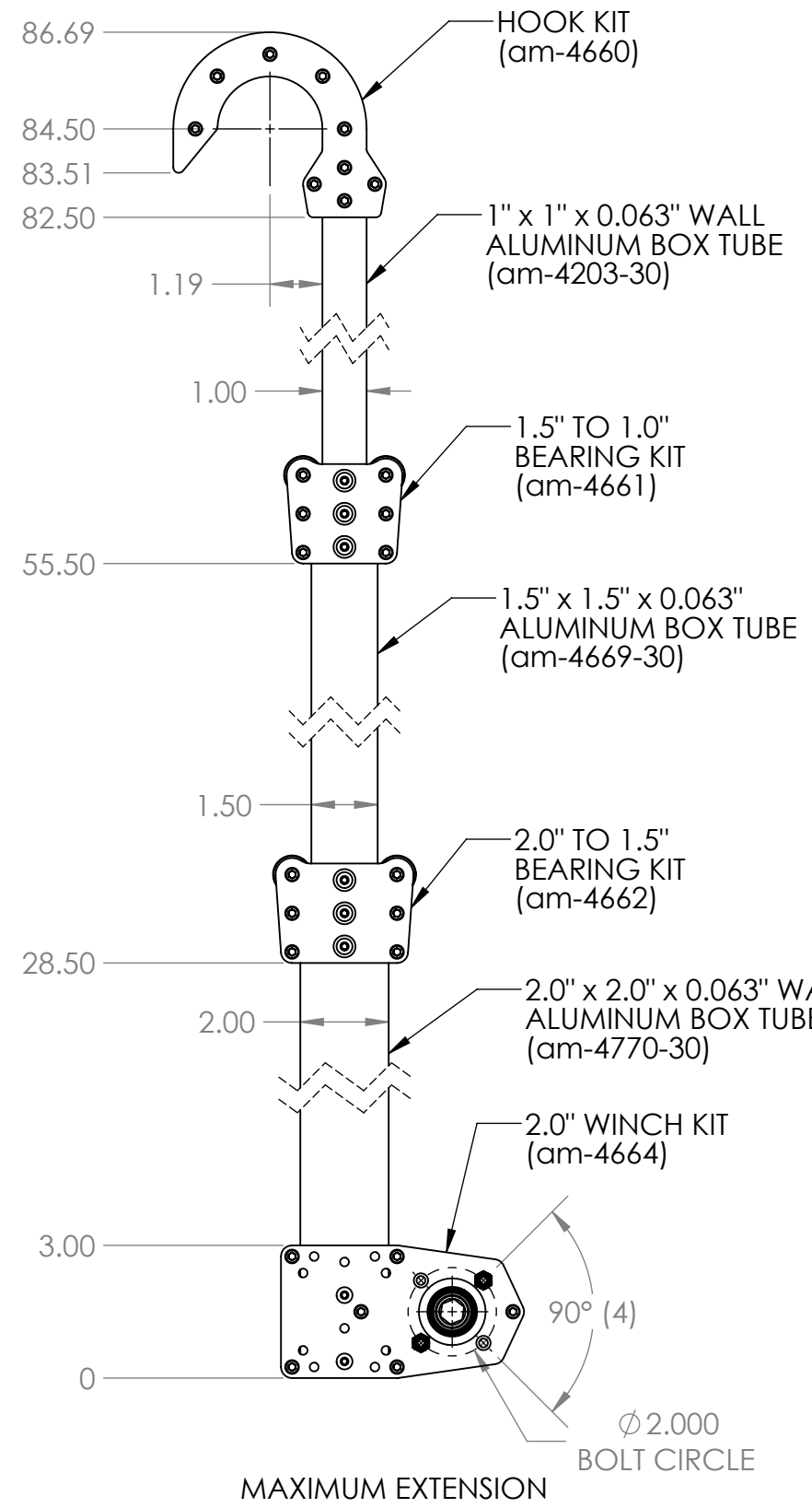
4

3

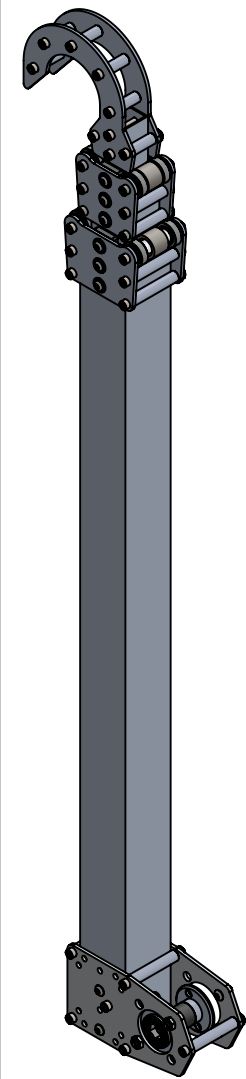
2

1

REVISION HISTORY			
REV.	DESCRIPTION	DATE	DRAWN BY
1	ORIGINAL PRINT	1/20/2022	N. LAWRENCE



*** SEE CAD FOR ADDITIONAL TOOLPATH INFO***



UNLESS OTHERWISE SPECIFIED: DIMENSIONS ARE IN INCHES

TOLERANCES:	
FRACTIONAL	±1/16
ANGULAR: MACH	±1°
ANGULAR: BEND	±5°
ONE PLACE DECIMAL	±0.1
TWO PLACE DECIMAL	±0.01
THREE PLACE DECIMAL	±0.005
FOUR PLACE DECIMAL	±0.0005
MATERIAL	VARIOUS
FINISH	
DO NOT SCALE DRAWING	

COMMENTS:
DUAL DIMENSIONS ARE IN MILLIMETERS.
BREAK ALL SHARP EDGES.

CHECKED	NAME	DATE
ENG APPR.	NM	1/21/22
MFG APPR.		
Q.A.		



TITLE:
2 STAGE CLIMBER IN A BOX

SIZE	DWG. NO.	REV
B	am-4668	1
SCALE: 1:4		SHEET 1 OF 1

4

3

2

1