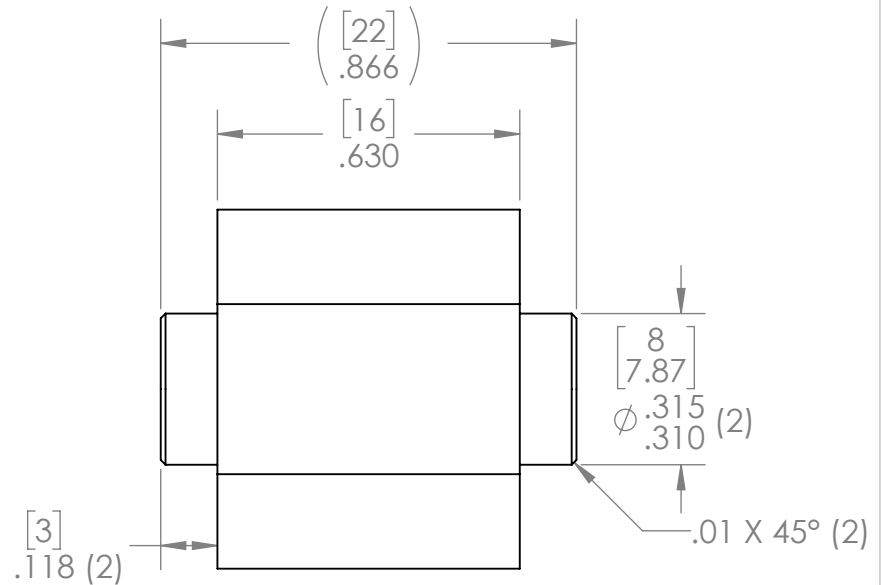
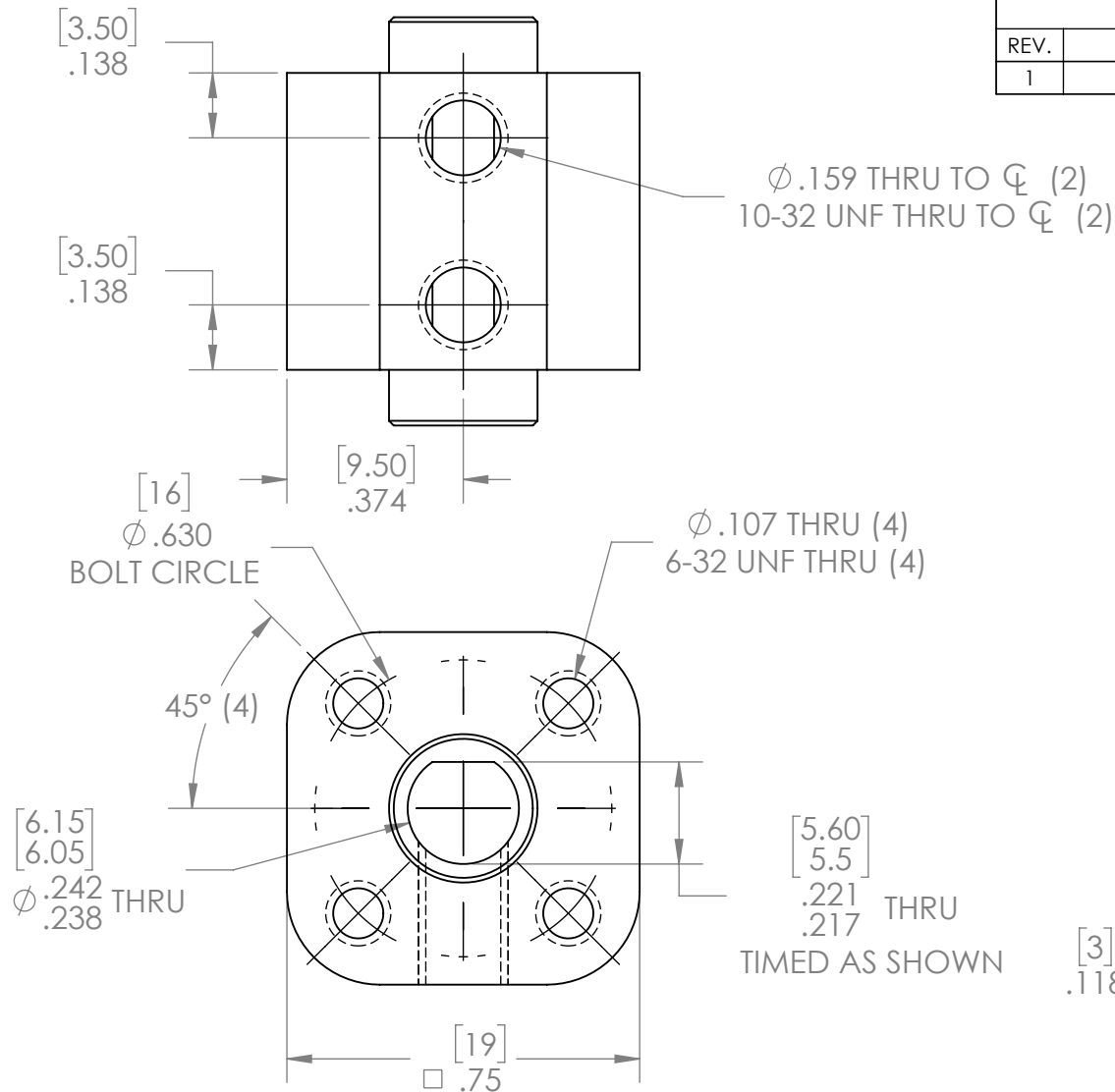
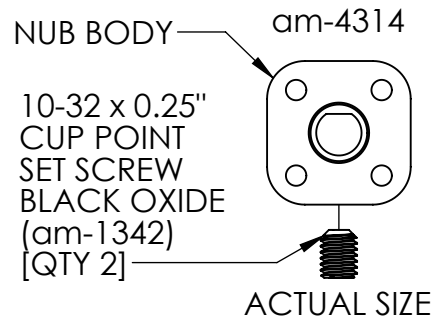
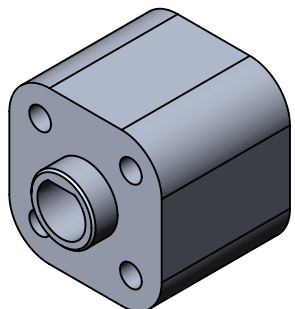


REVISION HISTORY

REV.	DESCRIPTION	DATE	DRAWN BY
1	ORIGINAL PRINT	6/2/2020	N. LAWRENCE



\*\*\* SEE CAD FOR ADDITIONAL TOOLPATH INFO\*\*\*



UNLESS OTHERWISE SPECIFIED:		COMMENTS:	
<b>DIMENSIONS ARE IN INCHES</b>		DUAL DIMENSIONS ARE IN MILLIMETERS.	
TOLERANCES:		BREAK ALL SHARP EDGES.	
FRACTIONAL	$\pm 1/16$		
ANGULAR: MACH	$\pm 1^\circ$		
ANGULAR: BEND	$\pm 5^\circ$		
ONE PLACE DECIMAL	$\pm 0.1$		
TWO PLACE DECIMAL	$\pm 0.01$		
THREE PLACE DECIMAL	$\pm 0.005$		
FOUR PLACE DECIMAL	$\pm 0.0005$		
MATERIAL	6061-T6 AL	NAME	DATE
FINISH	DEBURRED SILVER ANNOIDIZE	CHECKED	KK 6/10/20
	DO NOT SCALE DRAWING	ENG APPR.	
		MFG APPR.	
		Q.A.	



TITLE:  
 6mm D BORE  
 DOUBLE BOSS XL HD NUB

SIZE	DWG. NO.	REV
<b>A</b>	<b>am-4314</b>	<b>1</b>
SCALE: 2.5:1		SHEET 1 OF 1