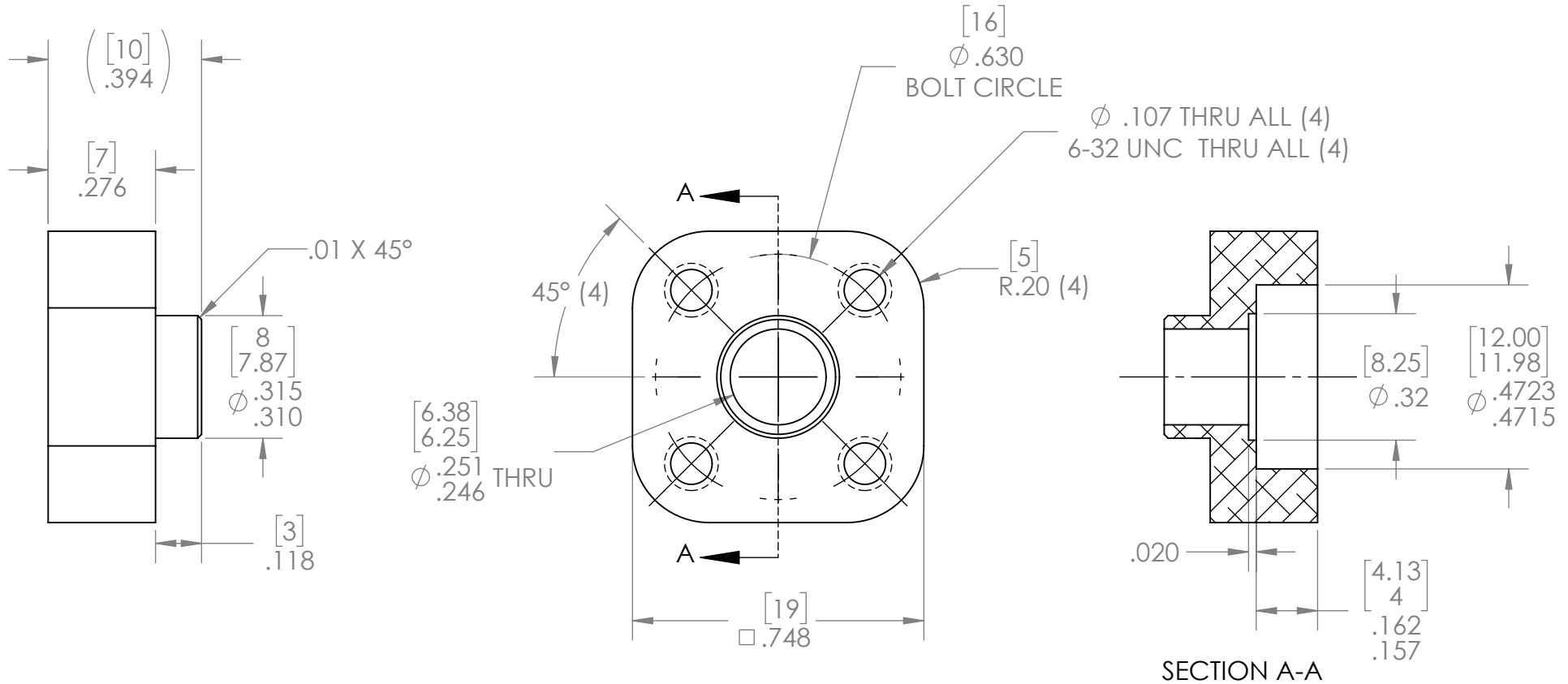
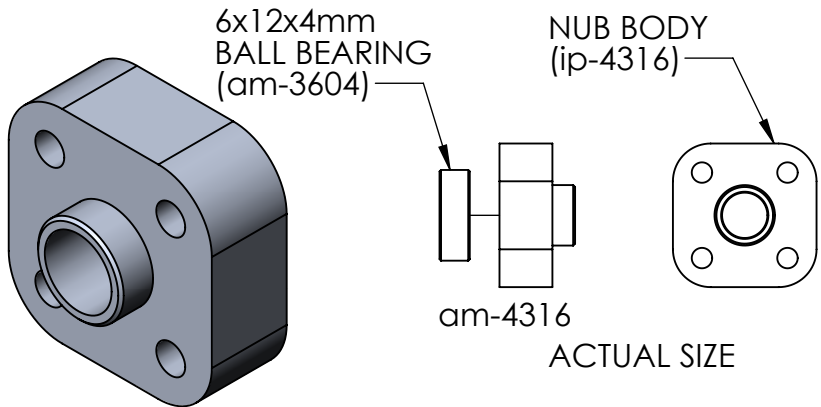


REVISION HISTORY			
REV.	DESCRIPTION	DATE	DRAWN BY
1	ORIGINAL PRINT	6/2/2020	N. LAWRENCE
2	UPDATED NUB BODY PART NUMBER	6/26/2020	N. LAWRENCE



\*\*\* SEE CAD FOR ADDITIONAL TOOLPATH INFO\*\*\*



UNLESS OTHERWISE SPECIFIED:		COMMENTS:	
<b>DIMENSIONS ARE IN INCHES</b>		DUAL DIMENSIONS ARE IN MILLIMETERS.	
TOLERANCES:		BREAK ALL SHARP EDGES.	
FRACTIONAL	$\pm 1/16$	CHECKED	NAME
ANGULAR: MACH	$\pm 1^\circ$	ENG APPR.	DATE
ANGULAR: BEND	$\pm 5^\circ$	MFG APPR.	
ONE PLACE DECIMAL	$\pm 0.1$	Q.A.	
TWO PLACE DECIMAL	$\pm 0.01$		
THREE PLACE DECIMAL	$\pm 0.005$		
FOUR PLACE DECIMAL	$\pm 0.0005$		
MATERIAL	6061-T6 AL		
FINISH	DEBURRED SILVER ANNOIDIZE		
DO NOT SCALE DRAWING			



TITLE:  
**HD BEARING NUB**

SIZE	DWG. NO.	REV
<b>A</b>	<b>am-4316</b>	<b>2</b>

SCALE: 2.5:1 SHEET 1 OF 1