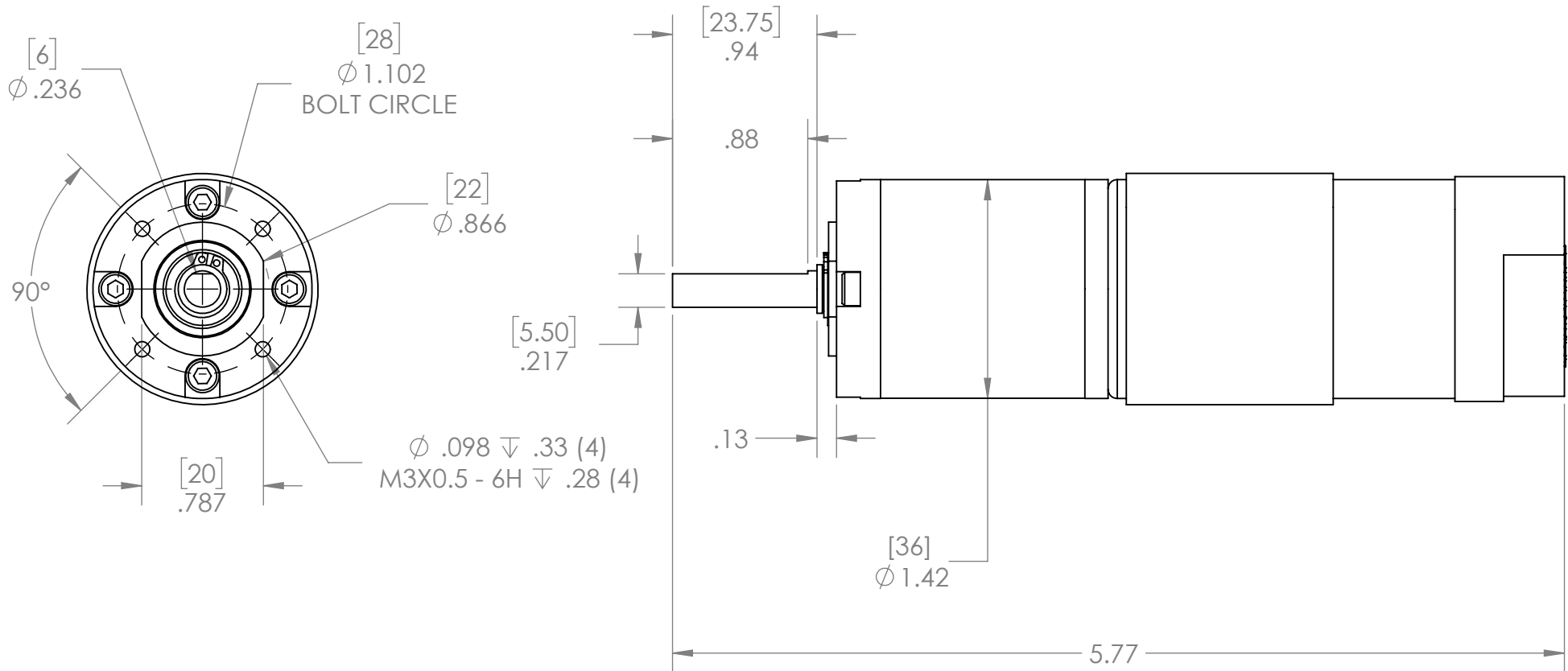
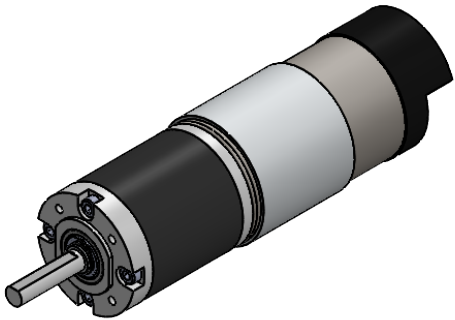



REVISION HISTORY			
REV.	DESCRIPTION	DATE	DRAWN BY
1	ORIGINAL PRINT	6/14/2022	P. YEUNG



*** SEE CAD FOR ADDITIONAL TOOLPATH INFO***



UNLESS OTHERWISE SPECIFIED:		COMMENTS:				
DIMENSIONS ARE IN INCHES		DUAL DIMENSIONS ARE IN MILLIMETERS.				
TOLERANCES:		BREAK ALL SHARP EDGES.		TITLE:		
FRACTIONAL	$\pm 1/16$			NEVEREST ORBITAL 264 GEARMOTOR		
ANGULAR: MACH	$\pm 1^\circ$					
ANGULAR: BEND	$\pm 5^\circ$					
ONE PLACE DECIMAL	± 0.1					
TWO PLACE DECIMAL	± 0.01	MATERIAL		SIZE	DWG. NO.	
THREE PLACE DECIMAL	± 0.005	FINISH		A	am-4608b	
FOUR PLACE DECIMAL	± 0.0005	DO NOT SCALE DRAWING				REV
		CHECKED	NAME	DATE	SCALE: 1:1	
		ENG APPR.	NM	6/14/22	SHEET 1 OF 1	
		MFG APPR.				
		Q.A.				