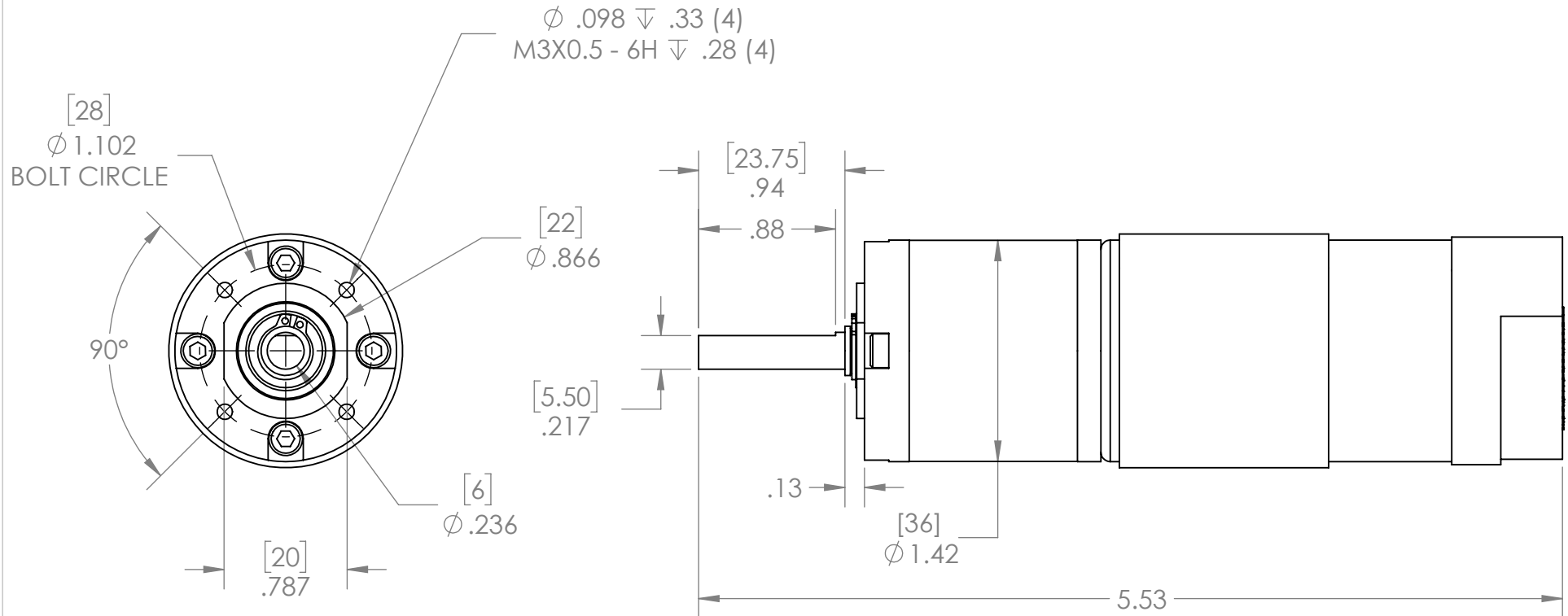
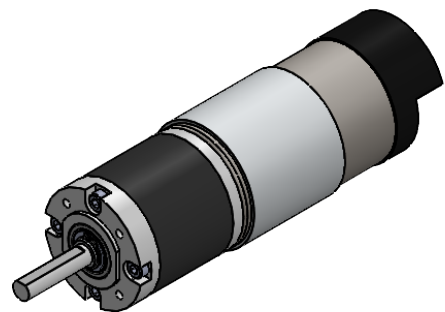


REV.	DESCRIPTION	DATE	DRAWN BY
1	ORIGINAL PRINT	6/14/2022	P. YEUNG



*** SEE CAD FOR ADDITIONAL TOOLPATH INFO***



UNLESS OTHERWISE SPECIFIED:		COMMENTS:					
DIMENSIONS ARE IN INCHES		DUAL DIMENSIONS ARE IN MILLIMETERS.					TITLE: NEVEREST ORBITAL 51 GEARMOTOR
TOLERANCES: FRACTIONAL $\pm 1/16$ ANGULAR: MACH $\pm 1^\circ$ ANGULAR: BEND $\pm 5^\circ$ ONE PLACE DECIMAL ± 0.1 TWO PLACE DECIMAL ± 0.01 THREE PLACE DECIMAL ± 0.005 FOUR PLACE DECIMAL ± 0.0005		BREAK ALL SHARP EDGES.		SIZE	DWG. NO.	REV	
MATERIAL		CHECKED	NAME	DATE	A	am-4609b	1
FINISH		ENG APPR.		6/14/22			
DO NOT SCALE DRAWING		MFG APPR.			SCALE: 1:1		SHEET 1 OF 1
		Q.A.					