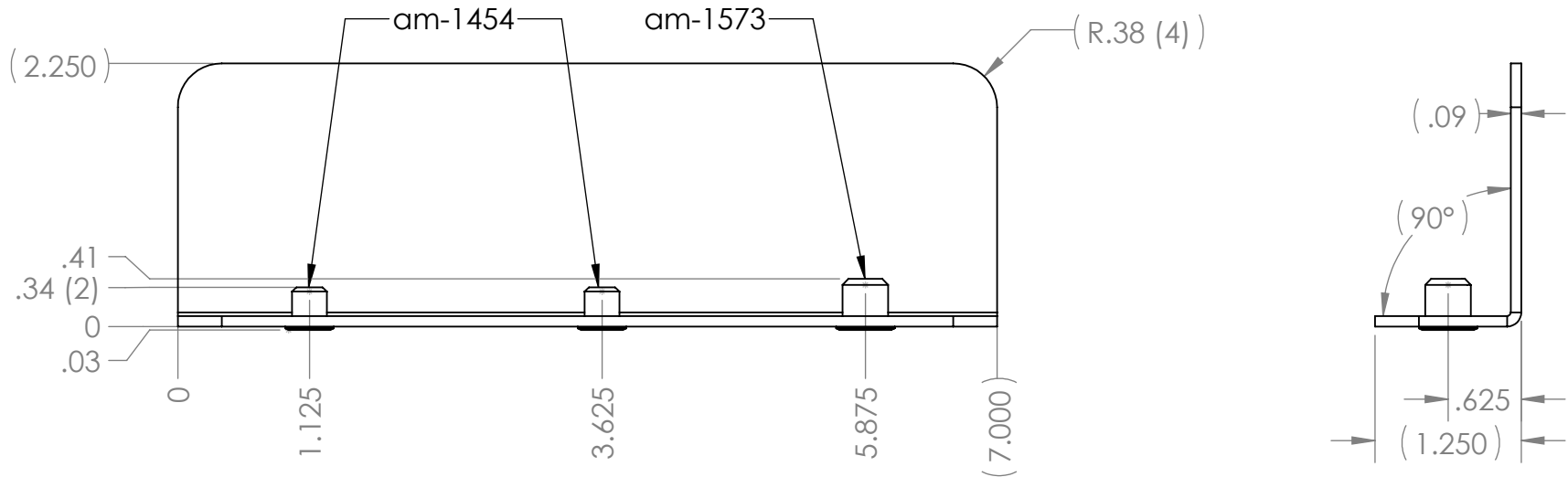
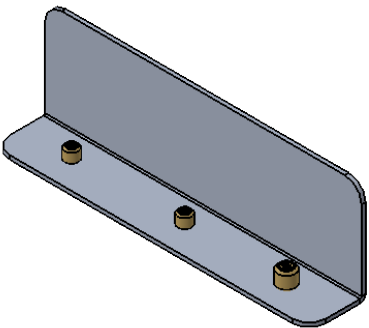



REVISION HISTORY			
REV.	DESCRIPTION	DATE	DRAWN BY
1	ORIGINAL PRINT	6/10/2021	B. HEININGER



\*\*\* SEE CAD FOR ADDITIONAL TOOLPATH INFO\*\*\*



UNLESS OTHERWISE SPECIFIED:		COMMENTS:					
<b>DIMENSIONS ARE IN INCHES</b>		DUAL DIMENSIONS ARE IN MILLIMETERS.					
TOLERANCES:		BREAK ALL SHARP EDGES.		TITLE:			
FRACTIONAL	±1/16			ROBOT COMPETITION TABLE			
ANGULAR: MACH	±1°			WALL SECTION LINK BENT UP			
ANGULAR: BEND	±5°			WITH RIVNUTS INSTALLED			
ONE PLACE DECIMAL	±0.1						
TWO PLACE DECIMAL	±0.01	MATERIAL 5052 ALUMINUM		SIZE	DWG. NO.	REV	
THREE PLACE DECIMAL	±0.005	STEEL RIVNUTS		<b>A</b>	am-4372	1	
FOUR PLACE DECIMAL	±0.0005	FINISH DEBURRED					
DO NOT SCALE DRAWING		YELLOW ZINC PLATED					
		CHECKED	NAME	DATE	SCALE: 1:1.5		SHEET 1 OF 1
		ENG APPR.					
		MFG APPR.					
		Q.A.					