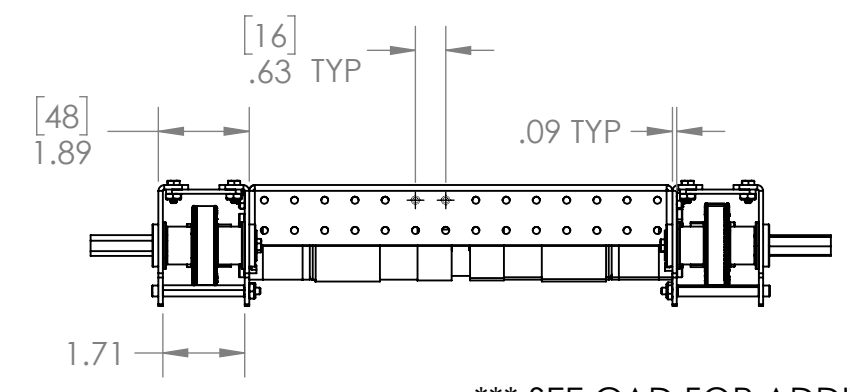
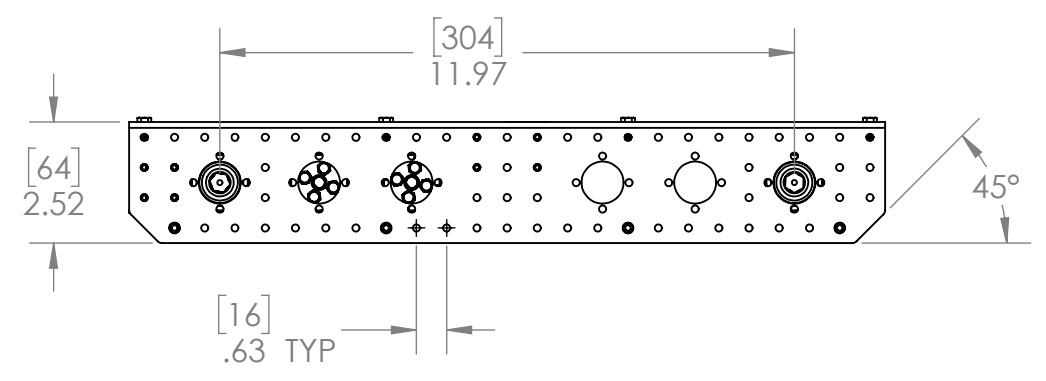
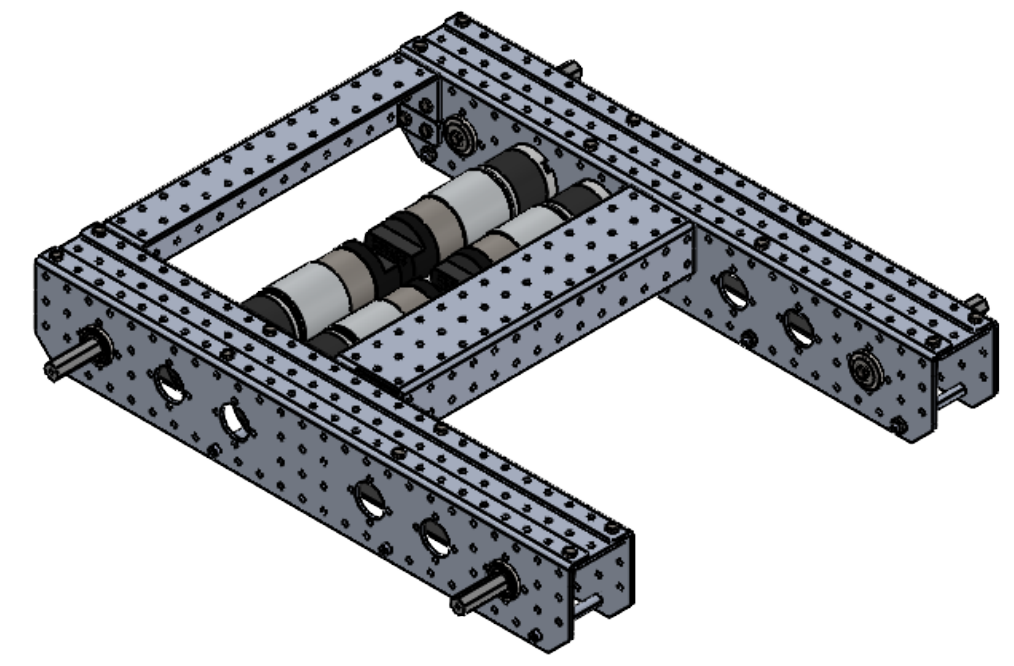
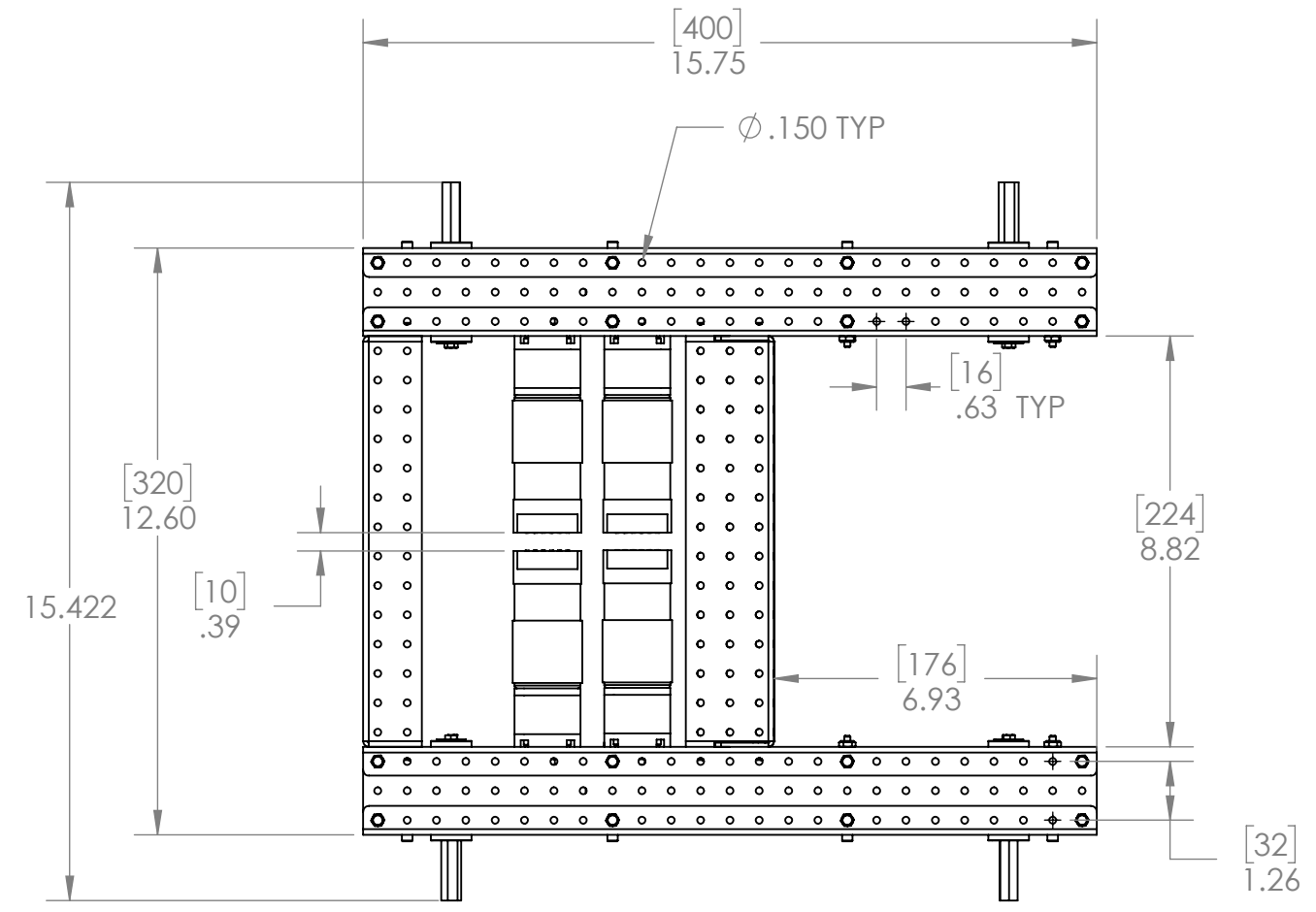


REVISION HISTORY			
REV.	DESCRIPTION	DATE	DRAWN BY
1	ORIGINAL PRINT	8/24/2022	P. YEUNG



\*\*\* SEE CAD FOR ADDITIONAL TOOLPATH INFO\*\*\*

UNLESS OTHERWISE SPECIFIED:		COMMENTS:		ANDYMARK		
DIMENSIONS ARE IN INCHES		DUAL DIMENSIONS ARE IN MILLIMETERS.		TITLE:		
TOLERANCES:		BREAK ALL SHARP EDGES.		MECANAM LAYOUT		
FRACTIONAL	±1/16			(FRAME)		
ANGULAR: MACH	±1°			SIZE	DWG. NO.	REV
ANGULAR: BEND	±5°			B	BTMNW2N	1
ONE PLACE DECIMAL	±0.1			SCALE: 1:4 SHEET 1 OF 1		
TWO PLACE DECIMAL	±0.01					
THREE PLACE DECIMAL	±0.005					
FOUR PLACE DECIMAL	±0.0005					
MATERIAL		CHECKED	NAME	DATE		
FINISH		ENG APPR.	NL	8/24/22		
DO NOT SCALE DRAWING		MFG APPR.				
		Q.A.				