

4

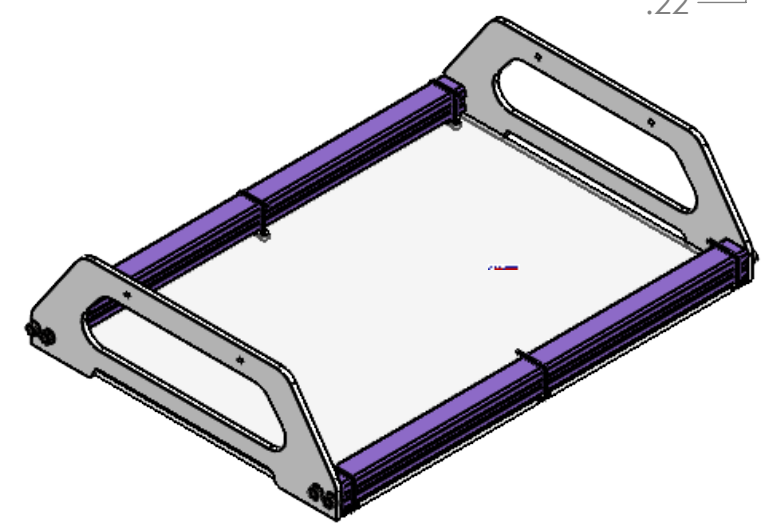
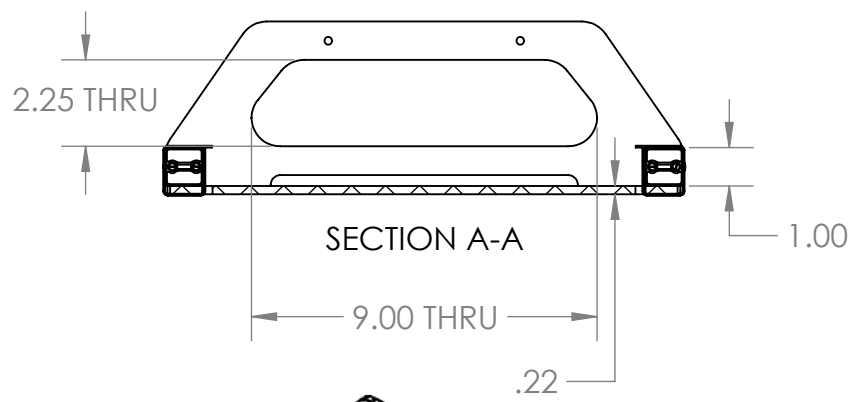
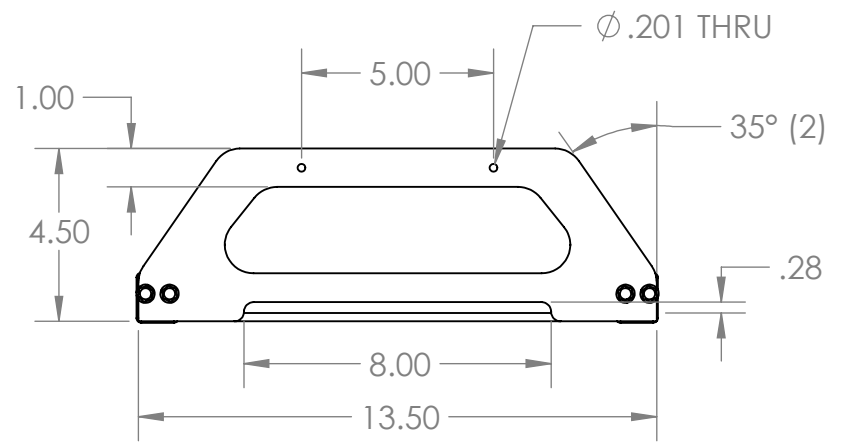
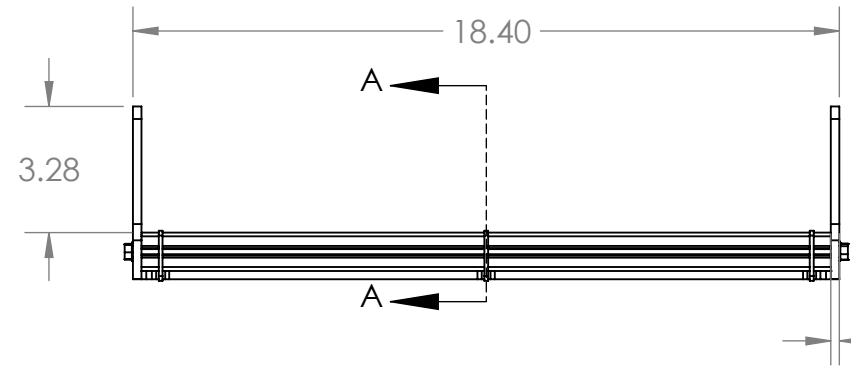
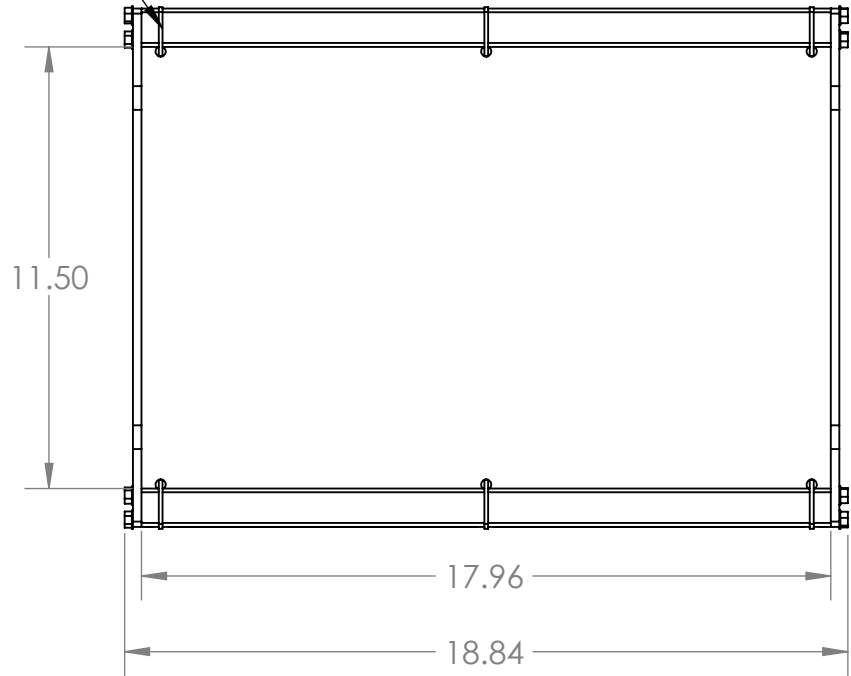
3

2


1

CABLE TIES FOR CONNECTING PEANUT TO POLYCARBONATE

REVISION HISTORY			
REV.	DESCRIPTION	DATE	DRAWN BY
1	ORIGINAL PRINT	9/6/2022	E. SCIME



\*\*\* SEE CAD FOR ADDITIONAL TOOLPATH INFO\*\*\*

UNLESS OTHERWISE SPECIFIED:		COMMENTS:				
<b>DIMENSIONS ARE IN INCHES</b>		DUAL DIMENSIONS ARE IN MILLIMETERS.				
TOLERANCES:		BREAK ALL SHARP EDGES.		SIZE DWG. NO. REV		
FRACTIONAL	±1/16	CHECKED	NAME NL	DATE 9/6/22	<b>B am-4845 1</b>	
ANGULAR: MACH	±1°	ENG APPR.			SCALE: 1:5 SHEET 1 OF 1	
ANGULAR: BEND	±5°	MFG APPR.				
ONE PLACE DECIMAL	±0.1	Q.A.				
TWO PLACE DECIMAL	±0.01					
THREE PLACE DECIMAL	±0.005					
FOUR PLACE DECIMAL	±0.0005					
MATERIAL	POLYCARBONATE TRAY POLYCARBONATE HANDLES PEANUT EXTRUSION RAILS					
FINISH	DEBURRED					
DO NOT SCALE DRAWING						

4

3

2

1

B

B

A

A