

4

3

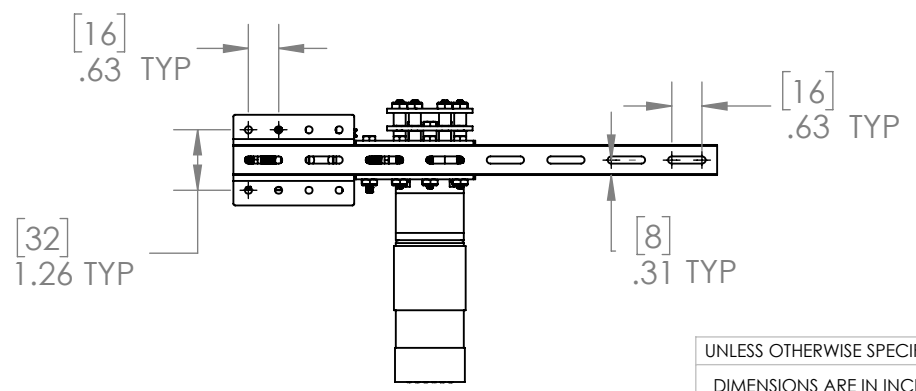
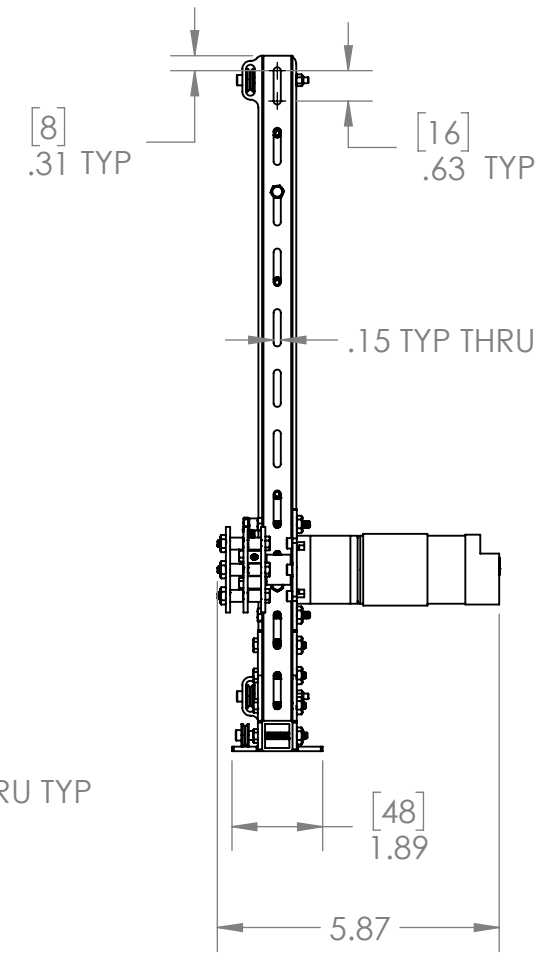
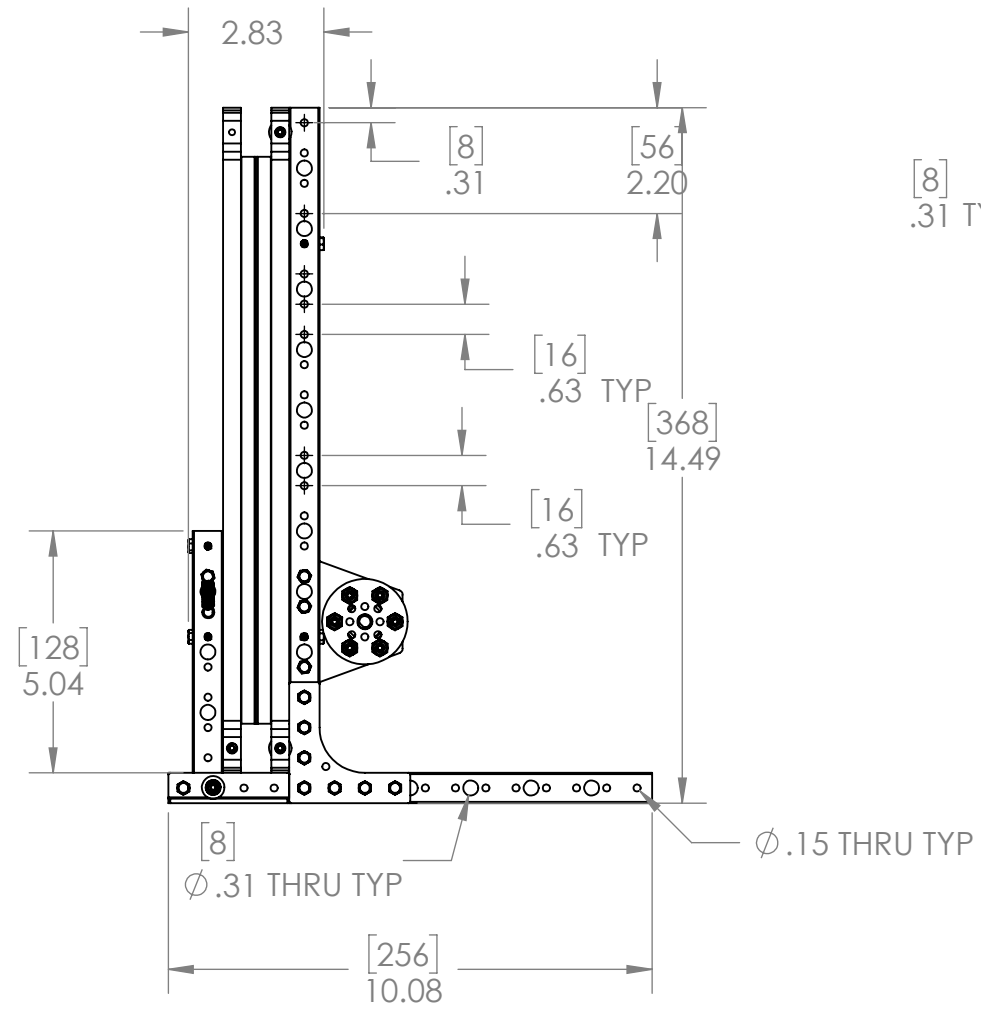
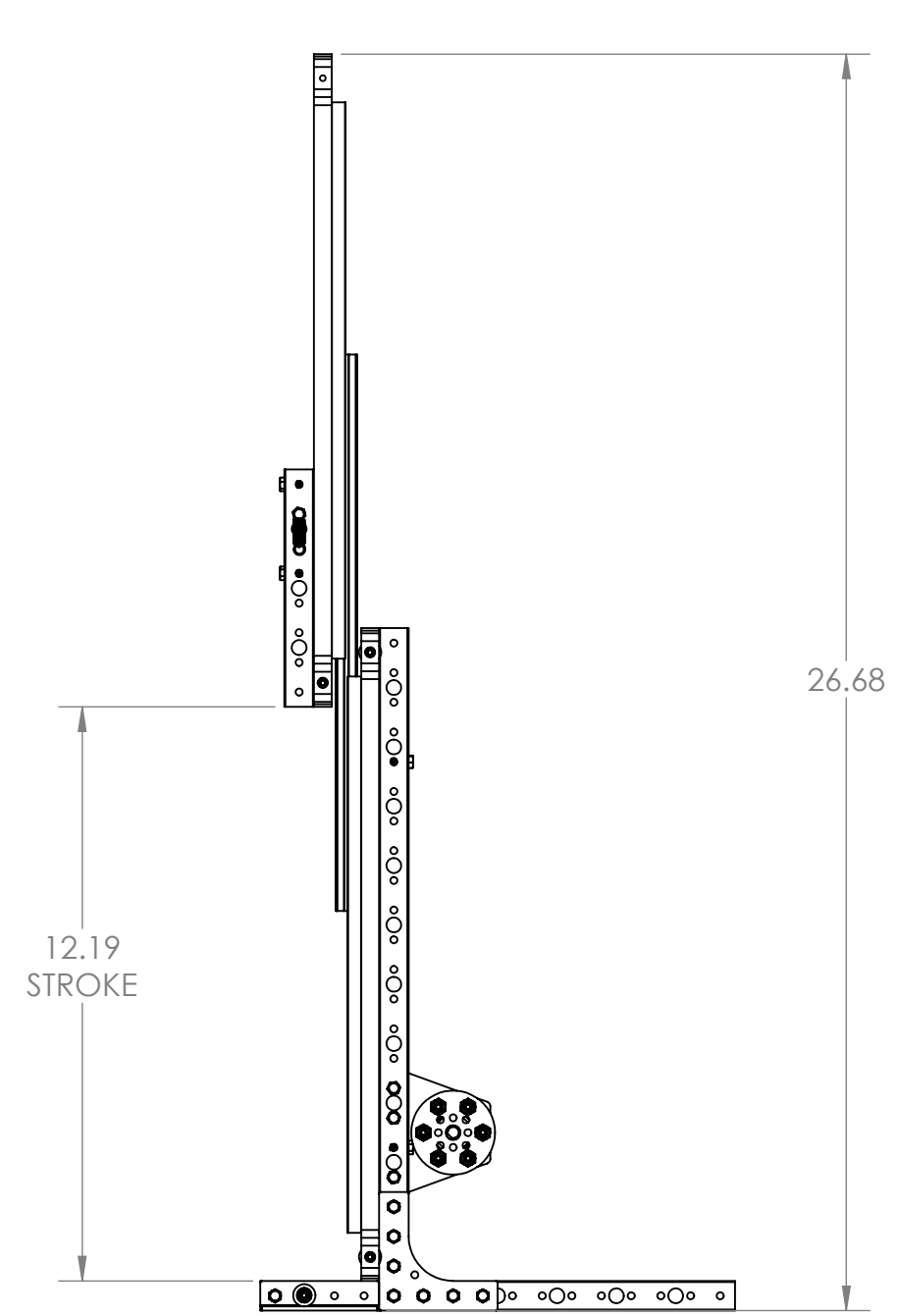
2

1

REVISION HISTORY			
REV.	DESCRIPTION	DATE	DRAWN BY
1	ORIGINAL PRINT	9/12/2022	P. YEUNG

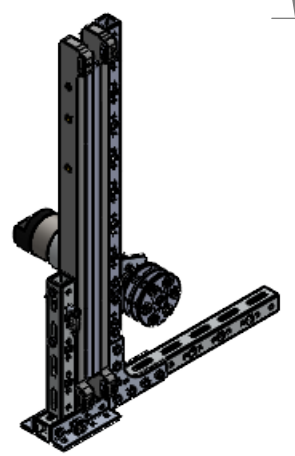
B

B




A

A



*** SEE CAD FOR ADDITIONAL TOOLPATH INFO***

UNLESS OTHERWISE SPECIFIED:		COMMENTS:				
DIMENSIONS ARE IN INCHES		DUAL DIMENSIONS ARE IN MILLIMETERS.				
TOLERANCES:		BREAK ALL SHARP EDGES.		TITLE:		
FRACTIONAL	±1/16			COMPACT LINEAR SLIDE (1 STAGE)		
ANGULAR: MACH	±1°			SIZE	DWG. NO.	REV
ANGULAR: BEND	±5°			B	am-4846	1
ONE PLACE DECIMAL	±0.1			SCALE: 1:4		
TWO PLACE DECIMAL	±0.01			SHEET 1 OF 1		
THREE PLACE DECIMAL	±0.005					
FOUR PLACE DECIMAL	±0.0005					
MATERIAL		CHECKED	NAME	DATE		
		ENG APPR.	NL	9/12/22		
FINISH		MFG APPR.				
DO NOT SCALE DRAWING		Q.A.				

4

3

2

1